

CAST IRON GATE VALVES NON RISING STEM

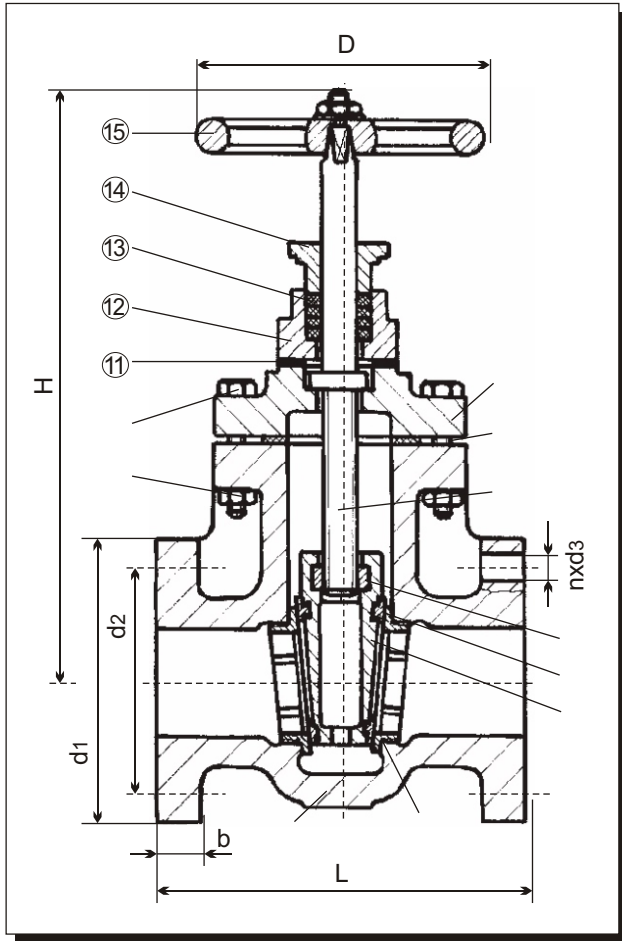


Fig. 1

Table 1

No.	Description	Material
15	Handwheel	A 126 cl B
14	Follower	A 126 cl B
13	Packing	Asbestos free
12	Stuffing box	A 126 cl B
11	Gasket	Asbestos free
10	Body Bolt	Carbon Steel
9	Bonnet	A 126 cl B
8	Body Gasket	Asbestos free
7	Body Nut	Carbon Steel
6	Stem	Brass
5	Wedge Nut	Bronze
4	Wedge Ring	Bronze
3	Wedge	A 126 cl B
2	Body Seat Ring	Bronze
1	Body	A 126 cl B

Table 2

Class	Size	Dimensions								
		2" 50	2 1/2" 65	3" 80	4" 100	6" 150	8" 200	10" 250	12" 300	
125	L	mm	177.8	190.5	203.2	228.5	266.7	292.1	330.2	355.6
		inch	7	7.5	8	9	10.5	11.5	13	14
	H	mm	283	310	355	420	520	630	745	835
		inch	11.2	12.2	14	16.5	20.5	24.8	29.3	32.9
	D	mm	190.5	190.5	228.5	254	304.8	355.6	406.4	457.2
		inch	7.5	7.5	9	10	12	14	16	18
	d1	mm	152.4	177.8	190.5	228.5	279.5	342.9	406.4	482.6
		inch	6	7	7.5	9	11	13.5	16	19
	d2	mm	120.6	139.7	152.4	190.5	241.3	298.5	361.9	431.8
		inch	4.75	5.50	6.00	7.50	9.50	11.75	14.25	17.00
	n x d3	mm	4 x 19	4 x 19	4 x 19	8 x 19	8 x 22	8 x 22	12 x 25.4	12 x 25.4
		inch	4 x 0.75	4 x 0.75	4 x 0.75	8 x 0.75	8 x 0.88	8 x 0.88	12 x 1.00	12 x 1.00
	b	mm	16	17.5	19	24	25.5	28.5	30.3	31.8
		inch	0.63	0.69	0.75	0.95	1.00	1.12	1.19	1.25
Weight	kg	16.5	19	30.4	44.5	77.5	114	175.5	272.5	
	lbs	36	42	67	98	171	250	390	600	