

## CAST STEEL GATE VALVES

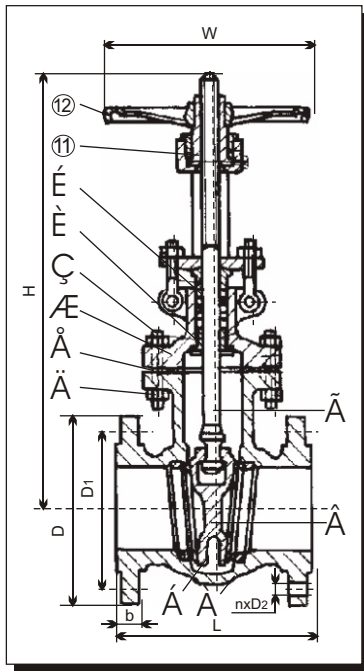


Fig. 1

Table 1

No.	Description	Material	
12	Handwheel	A 216 WCB	
11	Yoke sleeve	A 439 D2	
10	Packing	Graphite	
9	Backseat	A 182 F 6	
8	Studs	A 193 B7	
7	Bonnet	A 216 WCB	
6	Gasket	Low carbon steel / Low carbon steel plated with graphite for 24"	
5	Nuts	A 194 - 2H	
4	Stem	A 182 F 6a	
3	Wedge	6" - 24"	A 216 WCB
		2" - 4"	A 105
2	Seat ring	13% Cr / 13% Cr	
1	Body	A 216 WCB	

Table 2

OVERALL DIMENSIONS		Class 150													
		Size	2"	2 1/2"	3"	4"	6"	8"	10"	12"	14"	16"	18"	20"	24"
L	inch	7.00	7.50	8.00	9.00	10.50	11.50	13.00	14.00	15.00	16.00	17.00	18.00	20.00	
	mm	178	190	203	229	267	292	330	355	381	406	432	457	508	
H	inch	14.29	14.57	16.93	19.68	25.00	29.84	35.55	42.24	46.90	52.60	58.97	66.50	77.40	
	mm	363	370	430	500	635	758	903	1073	1192	1336	1498	1690	1966	
W	inch	7.88	7.88	9.75	9.75	11.88	14.00	15.88	17.88	19.50	23.38	23.38	26.75	30.00	
	mm	200	200	248	248	302	355	404	454	496	594	594	680	762	
D	inch	6.00	7.00	7.50	9.00	11.00	13.50	16.00	19.00	21.00	23.50	25.00	27.50	32.00	
	mm	152	178	190	229	279	343	406	483	533	597	635	698	812.8	
D1	inch	4.75	5.50	6.00	7.50	9.50	11.75	14.25	17.00	18.75	21.25	22.75	25.00	29.50	
	mm	120.5	139.5	152.5	190.5	241.5	298.5	362	432	476	539.5	578	635	749.3	
n x D2	inch	4 x 0.75	4 x 0.75	4 x 0.75	8 x 0.75	8 x 0.88	8 x 0.88	12 x 1.00	12 x 1.00	12 x 1.12	16 x 1.12	16 x 1.25	20 x 1.25	20 x 1.37	
	mm	4 x 19	4 x 19	4 x 19	8 x 19	8 x 22	8 x 22	12 x 25	12 x 25	12 x 29	16 x 29	16 x 32	20 x 32	20 x 35	
b	inch	0.62	0.69	0.75	0.94	1.00	1.12	1.19	1.25	1.38	1.44	1.56	1.69	1.88	
	mm	16	17.5	19	24	25.4	28.5	30	32	35	36.6	39.7	42.9	48	
NET WEIGHT	lbs	46.3	59.5	81.5	119	185	275.6	431	598	804	1090	1433	1896	2688	
	kg	21	27	37	54	84	125	198	272	364	490	650	860	1200	

Table 3

OVERALL DIMENSIONS		Class 300								
		Size	2"	2 1/2"	3"	4"	6"	8"	10"	12"
L	inch	8.50	9.51	11.14	12.01	15.87	16.50	17.99	19.76	
	mm	216	241.5	283	305	403	419	457	502	
H	inch	15.03	15.55	17.70	20.15	25.70	31.96	38.18	44.88	
	mm	382	395	450	512	653	812	970	1140	
W	inch	7.88	7.88	9.75	9.75	14.00	15.88	17.88	19.50	
	mm	200	200	248	248	355	404	454	496	
D	inch	6.50	7.50	8.25	10.00	12.50	15.00	17.50	20.50	
	mm	165	190	210	254	318	381	445	521	
D1	inch	5.00	5.88	6.62	7.88	10.62	13.00	15.25	17.75	
	mm	127	149	168	200	270	330	387.5	451	
n x D2	inch	8 x 0.75	8 x 0.88	8 x 0.88	8 x 0.88	12 x 0.88	12 x 1.00	16 x 1.12	16 x 1.25	
	mm	8 x 19	8 x 22	8 x 22	8 x 22	12 x 22	12 x 25	16 x 29	16 x 32	
b	inch	0.88	1.00	1.12	1.25	1.44	1.62	1.88	2.00	
	mm	22	25.4	28.5	32	36.5	41.5	48	51	
NET WEIGHT	lbs	62	88	115	168	328	504	728	1025	
	kg	28	40	52	76	149	228	330	465	