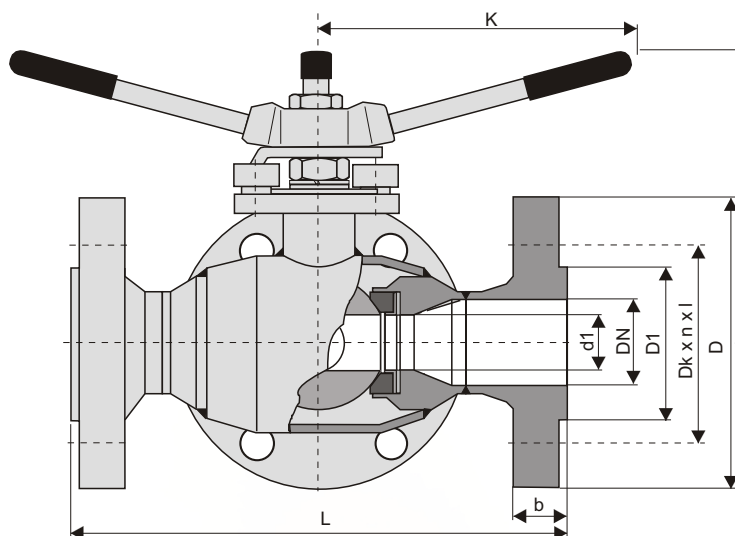


THREE-WAY STAINLESS STEEL BALL PIVOT

DN 65-100 PN 16

3.264.



vtsz.8481808100

JOINING SIZE:

DIN 2501 (flanged)

GRADE OF SEEPAGE:

MSZ 4563-1983. 3.1.

DIN 3230/3 BO 1.

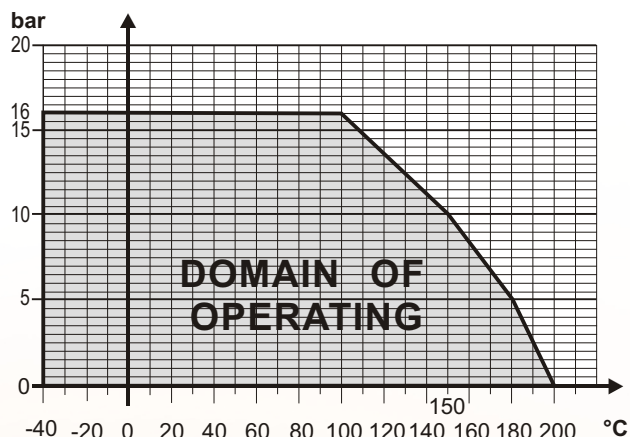
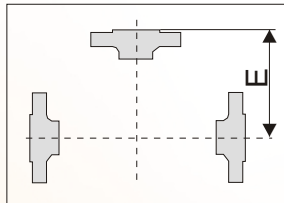
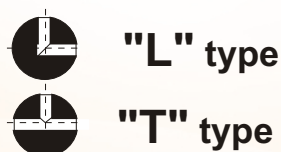
CONSTRUCTION OF LENGTH:

DIN 3201-F1 (flanged)

DIN 3202-S8 (welded)

AREA OF APPLICATION:

For cold and hot water, for steam, for acids and alkalis, for liquids iner to the material of the parts in the following range shown in the operational pressure-temperature diagram



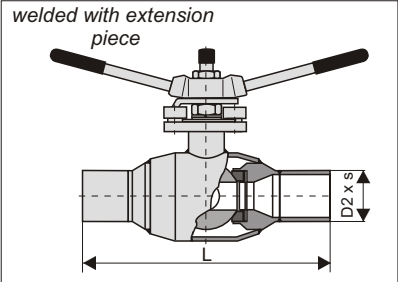
DN	d1	D1	Dk x n x l	D	L	E	b	H	K	kg/db
65	50	122	145 x 4 x 18	185	270	135	18	252	500	18
80	65	138	160 x 8 x 18	200	280	140	20	313	750	26
100	80	158	180 x 8 x 18	220	300	150	20	380	950	37

MATERIALS OF MAIN PARTS:

Specifying	Material quality (~)
Case	1.4541 MSZ EN 10088-1
Ball	1.4541 MSZ EN 10088-1
Seat	PTFE + 25% Cg
Shaft	1.4462 MSZ EN 10088-1
Shaft sealing	2 db PTFE ring 1 db FPM "O" ring

DN	D2 x s	L	E	kg/db
65	76,1 x 2,9	270	135	14
80	88,9 x 3,2	280	140	23
100	108 x 3,6	300	150	33

welded with extension piece



TORQUE:

