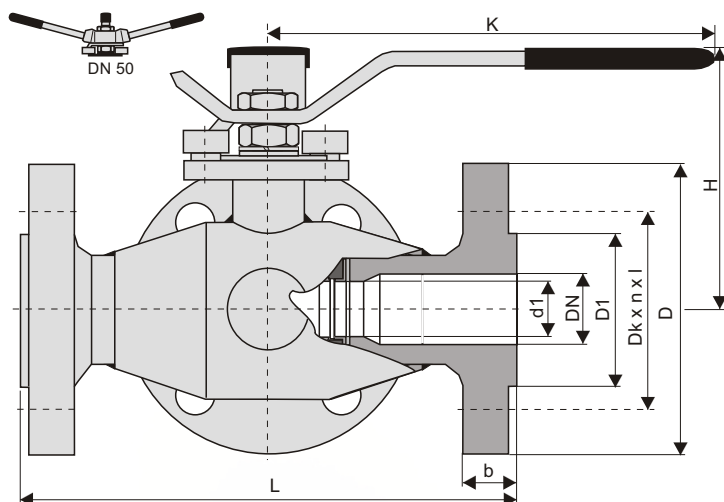


THREE-WAY STAINLESS STEEL BALL PIVOT

DN 15-50 PN 40

3.263.



vtsz.8481808100

JOINING SIZE:

DIN 2501 (flanged)

GRADE OF SEEPAGE:

MSZ 4563-1983. 3.1.

DIN 3230/3 BO 1.

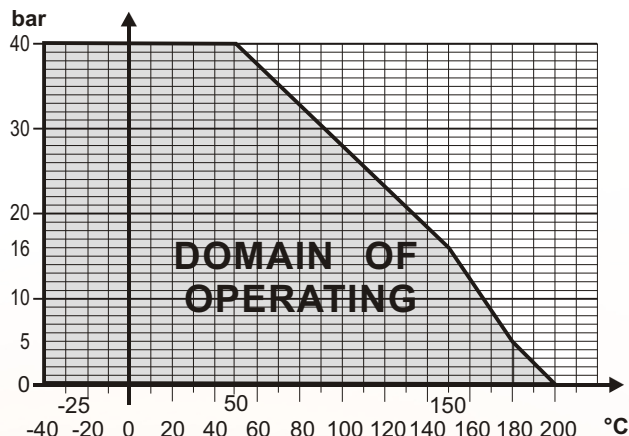
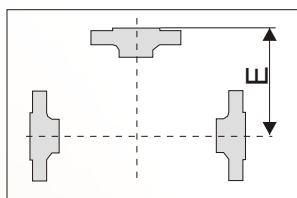
AREA OF APPLICATION:

For cold and hot water, for steam, for acids and alkalis, for liquids iner to the material of the parts in the following range shown in the operational pressure-temperature diagram



"L" type

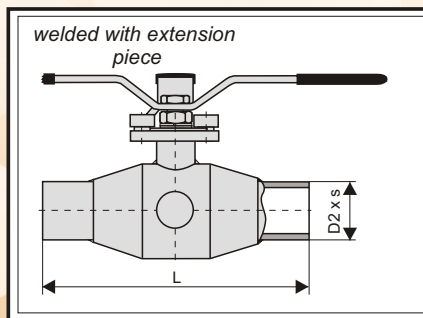
"T" type



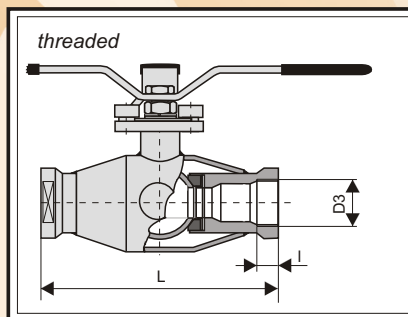
DN	d1	D1	Dk x n x l	D	L	E	b	H	K	kg/db
15	15	45	65 x 4 x 14	95	130	95	16	95	160	4
20	15	58	75 x 4 x 14	105	150	105	18	115	185	5
25	20	68	85 x 4 x 14	115	160	110	18	120	185	6
32	25	78	100 x 4 x 18	140	180	120	18	140	200	9
40	32	88	110 x 4 x 18	150	200	130	18	145	200	11
50	40	102	125 x 4 x 18	165	230	145	20	185	300	16

MATERIALS OF MAIN PARTS:

Specifying	Material quality (~)
Case	1.4541 MSZ EN 10088-1
Ball	1.4541 MSZ EN 10088-1
Seat	PTFE + 25% Cg
Shaft	1.4462 MSZ EN 10088-1
Shaft sealing	2 db PTFE ring 1 db FPM "O" ring



DN	D2 x s	L	E	kg/db
15	20 x 2	210	105	1,9
20	25 x 2,5	230	115	2,5
25	30 x 2,6	230	115	3,2
32	38 x 2,6	260	130	4,7
40	44,5 x 2,6	260	130	6,3
50	57 x 2,9	300	150	9,6



DN	D3	l	L	E	kg/db
15	Rp 1/2"	10	85	42,5	1,4
20	Rp 3/4"	10	95	42,5	2,1
25	Rp 1"	12	105	60	2,8
32	Rp 5/4"	12	130	70	3,9
40	Rp 6/4"	16	180	70	5,7
50	Rp 2"	16	190	70	8,7

TORQUE:

