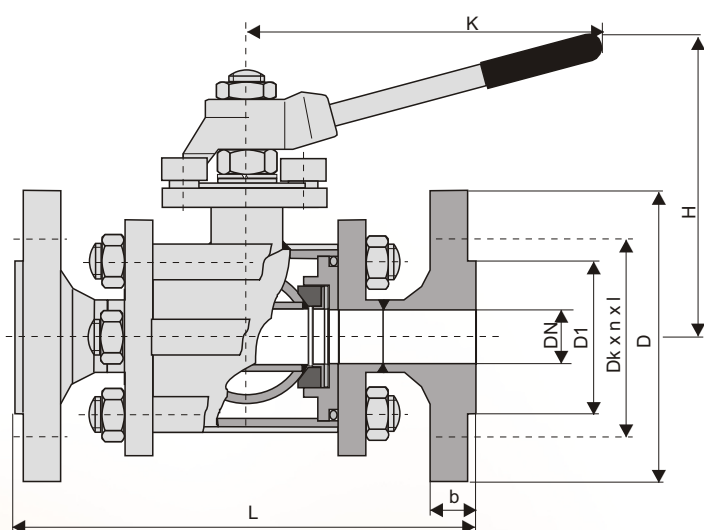


STAINLESS STEEL BALL PIVOT MONTHAHN DN 65-125 PN 16

3.250.T .



vtsz.8481808100

JOINING SIZE:

DIN 2501 (flanged)

GRADE OF SEEPAGE:

MSZ 4563-1983. 3.1.

DIN 3230/3 BO 1.

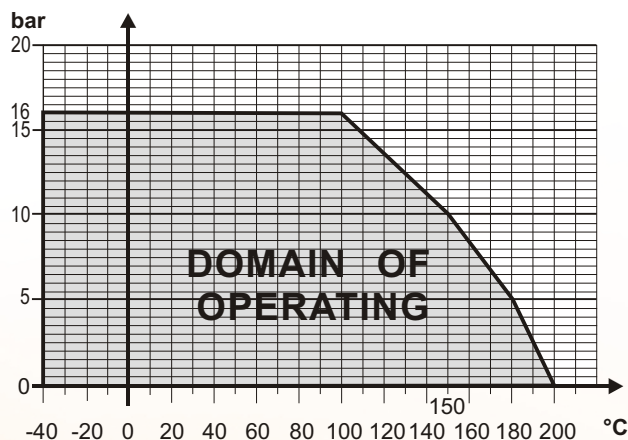
CONSTRUCTION OF LENGTH:

DIN 3201-F1 (flanged)

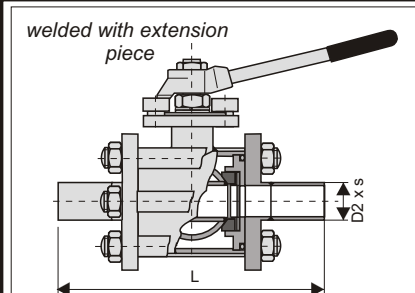
DIN 3202-S8 (welded)

AREA OF APPLICATION:

For cold and hot water, for steam, for acids and alkalis, for liquids iner to the material of the parts in the following range shown in the operational pressure-temperature diagram



DN	D1	Dk x n x l	D	L	b	H	K	kg/db
65	122	145 x 4 x 18	185	270	18	219	400	13
80	138	160 x 8 x 18	200	280	20	252	500	18
100	158	180 x 8 x 18	220	300	20	313	750	26
125	188	210 x 8 x 18	250	325	22	380	950	32

welded with extension piece		DN	D2 x S	L	kg/db
		65	76,1 x 2,9	270	7,8
		80	88,9 x 3,2	280	14
		100	108 x 3,6	300	23
		125	133 x 4	325	28

MATERIALS OF MAIN PARTS:

Specifying	Material quality (~)
Case	1.4541 MSZ EN 10088-1
Ball	1.4541 MSZ EN 10088-1
Seat	PTFE + 25% Cg
Shaft	1.4462 MSZ EN 10088-1
Shaft sealing	2 db PTFE ring 1db FPM "O" ring

TORQUE:

