

**SAVÁLLÓ MENETES BB GOLYÓSCSAP**  
**2 részes szűkített átfolyású**  
**NKB201**  
**2- PC Reduce Ball Valve**



Méret	1/4"	3/8"	1/2"	3/4"	1"	1 1/4"	1 1/2"	2"	2 1/2"	3"
<b>D</b>	10	10	10	15	20	25	32	40	50	65
<b>H</b>	50	50	50	55	62	67	81	86	105	118
<b>W</b>	106	106	106	106	127	127	158	158	167	200
<b>L</b>	52	52	52	58	66	79	89,5	102	132	154

1000PSI/PN63

Reduce Port

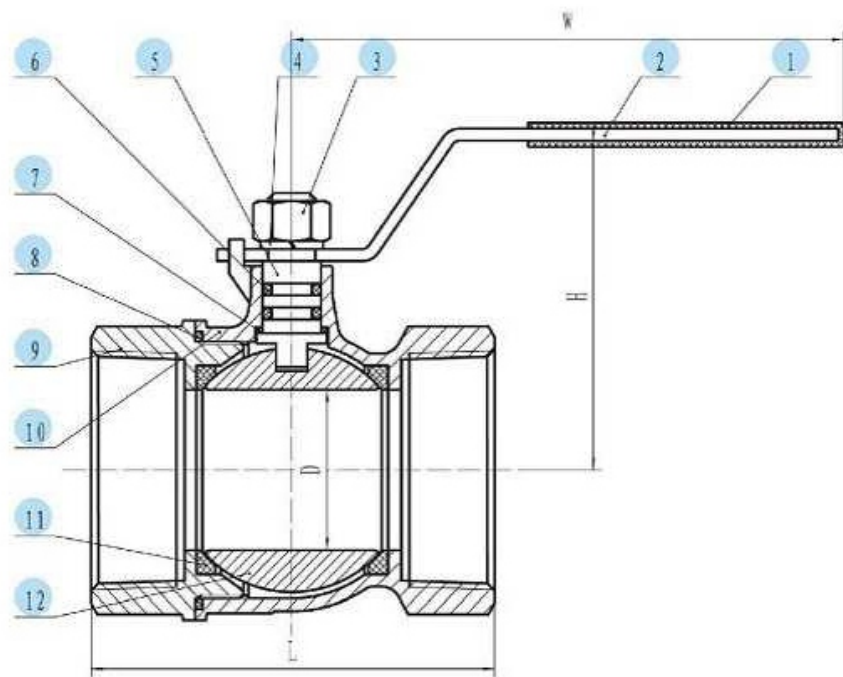
Investment Casting

Blow-out Proof Stem

PED97/23/EC(CE 0035) Approved

Casting Approved AD-2000/W0

Inspection Testing: API598, EN12266



1	PLASTIC COVER	PLASTIC
2	HANDLE	SU304
3	STEM NUT	SU304
4	THRUST WASHER	SU304
5	STEM	SU304
6	O-Ring	NBR
7	STEM SEAL	PTFE
8	BODY SEAL	PTFE
9	CAP	CF8/CF8M
10	BODY	CF8/CF8M
11	SEAT	PTFE
12	BALL	CF8/CF8M

