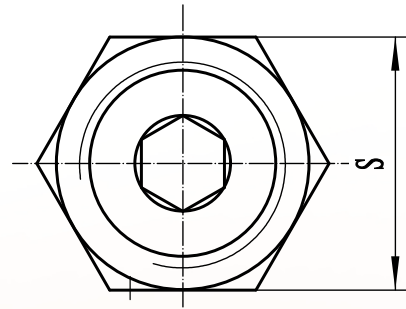
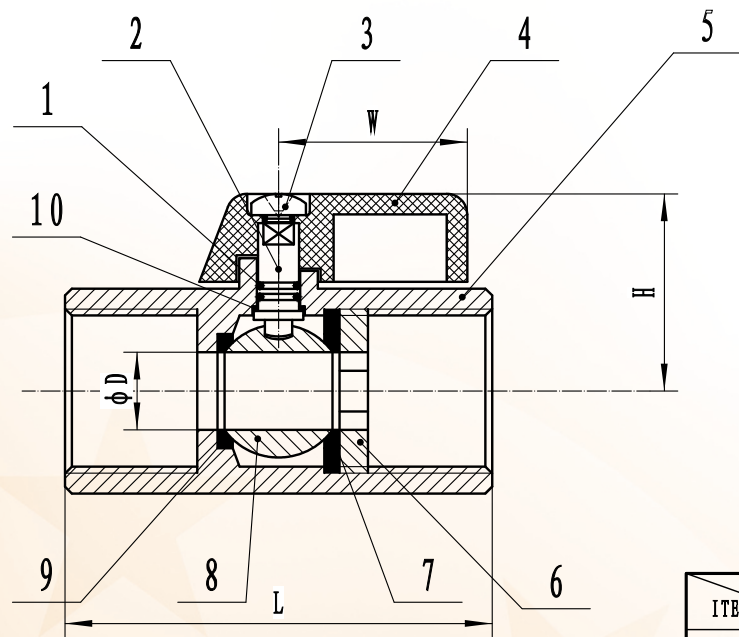


Golyócsap

Saválló karimás golyócsap, teljes átfolyású

Flanged Ball Valve
DIN PN16 With ISO5211



| ITEM \ SIZE | 1/4" | 3/8" | 1/2" | 3/4" | 1" |
|-------------|------|------|------|------|------|
| D | 8 | 8 | 9.2 | 12.5 | 15 |
| L | 40 | 41 | 46 | 55 | 65 |
| H | 26.5 | 26.5 | 28.3 | 31.5 | 34 |
| W | 22.8 | 22.8 | 22.8 | 22.8 | 22.8 |
| S | 21 | 21 | 24.5 | 31 | 37.5 |

| | | | |
|----|---------------|---|---------------|
| 10 | THRUST WASHER | 1 | PTFE |
| 9 | BALL SEAT (B) | 1 | PTFE |
| 8 | BALL | 1 | CF8M/CF8 |
| 7 | BALL SEAT (A) | 1 | PTFE |
| 6 | CAP | 1 | CF8M/CF8 |
| 5 | BODY | 1 | CF8M/CF8 |
| 4 | LEVER | 1 | ALUMINUMALLOY |
| 3 | BOLT | 1 | 304 |
| 2 | STEM | 1 | 316/304 |
| 1 | O-RING | 2 | VITON |