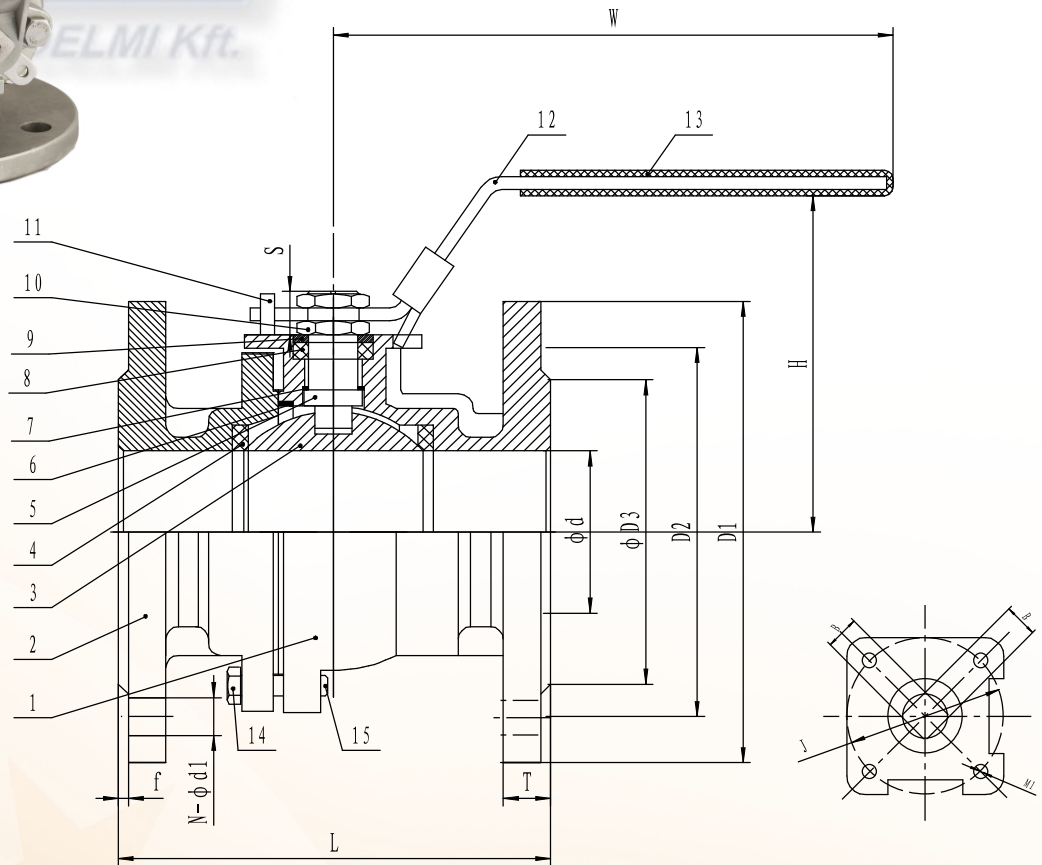


Golyócsap

Karimás, 2 részes, meghajtásra előkészített, kézikarral NKB 404MD
 2 PC Flanged Ball Valve With Direct Mounting Pad



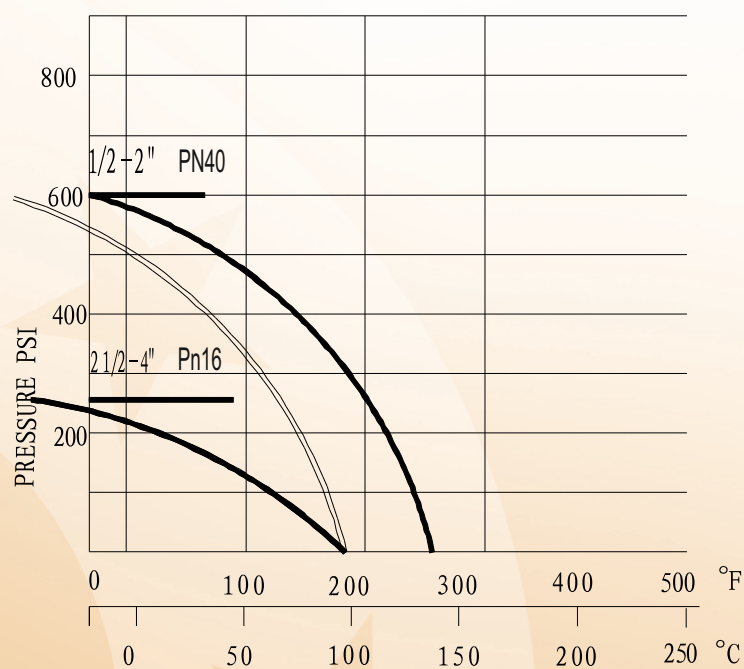
ITEM SIZE	d	B	H	W	L	D3	D2	D1	T	f	d1	N	J	M1	BOLT NUMBER	S
1/2"	15	11	80	160	115	45	65	95	16	2	14	4	42	M5	4	22.5
3/4"	20	11	90	160	120	58	75	105	18	2	14	4	42	M5	4	24
1"	25	14	95	160	125	68	85	115	18	2	14	4	50	M6	4	28.8
1-1/4"	32	14	105	160	130	78	100	140	18	2	18	4	50	M6	4	29
1-1/2"	38	17	110	220	140	88	110	150	18	3	18	4	70	M8	4	34.7
2"	50	17	118	220	150	102	125	165	20	3	18	4	70	M8	4	35.5
2-1/2"	65	17	136	220	170	122	145	185	18	3	18	4	70	M8	6	36.5
3"	76	22	158	320	180	138	160	200	20	3	18	8	102	M10	6	46
4"	94	22	178	320	190	158	180	220	20	3	18	8	102	M10	8	47

PN16
PN40

PN16

15	BOLT	4-8	SUS304
14	NUT	4-8	SUS304
13	PLASTIC COVER	1	PLASTIC
12	HANDLE	1	SUS304
11	STOP PIN	1	SUS304
10	NUT	2	SUS304
9	GLAND	1	SUS304
8	V-RING PACKING	1	PTFE
7	STEM PACKING	1	PTFE
6	BODY GASKET	1	PTFE
5	STEM	1	SUS304/316
4	BALL SEAT	2	PTFE
3	BALL	1	1. 4408/1. 4308
2	CAP	1	1. 4408/1. 4308
1	BODY	1	1. 4408/1. 4308

RATING 1/2" - 4"



TEMPERATURE