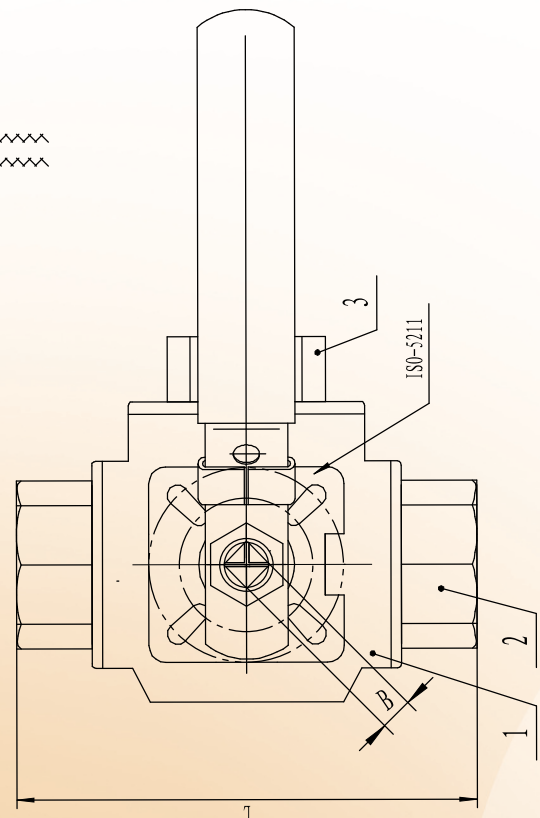
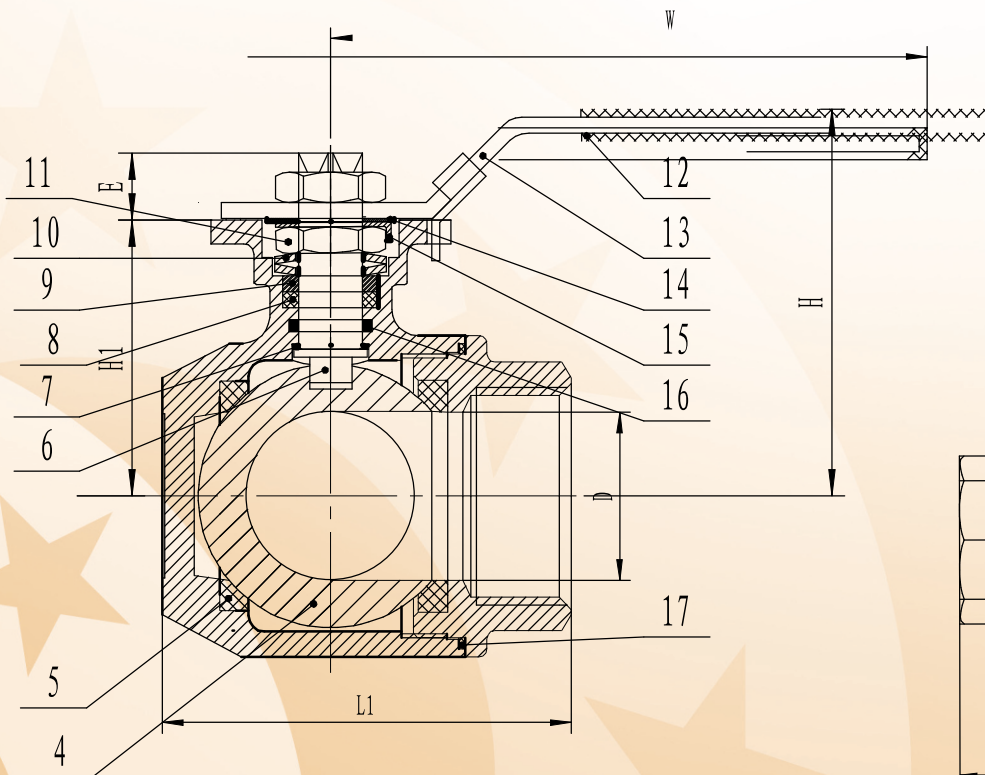


Golyócsap

Saválló menetes, háromjratú, L-T forgós,
meghajtásra előkészített, NKB501M

Three Way Ball Valve with Direct Mounting Pad
304/316 1000 PSI



	ϕD	W	$L \pm 2$	$L1 \pm 2$	H	$B_{-0.07}^0$	$E \pm 1$	ISO5211	H1
1/4"	9	139	79	64	73	9	9	F04/03	42
3/8"	11	139	79	64	73	9	9	F04/03	42
1/2"	12.5	139	79	64	73	9	9	F04/03	42
3/4"	16	139	83	68	80	9	9	F04/03	49
1"	20	160	104	82	95	11	11	F05/04	59.5
1-1/4"	25	160	111	90	98	11	11	F05/04	63
1-1/2"	32	185	126	106	110	14	14	F07/05	73.5
2"	38	185	147	123	119	14	14	F07/05	82.8

17	BODY PACKING	1	PTFE
16	O-RING	1	NBR
15	THRUST WASHER	1	SUS304
14	WASHER	1	SUS304
13	HANDLE	1	SUS304/316
12	PLASTIC COVER	1	PLASTIC
11	NUT	2	SUS304
10	SPRING WASHER	2	SUS304
9	GLAND NUT	1	SUS304
8	STEM PACKING	1	PTFE
7	STEM SEAL	1	PTFE
6	STEM	1	304/316
5	BALL SEAT	4	PTFE
4	BALL	1	CF8/CF8M
3	CAP (2)	1	CF8/CF8M
2	CAP (1)	2	CF8/CF8M
1	BODY	1	CF8/CF8M