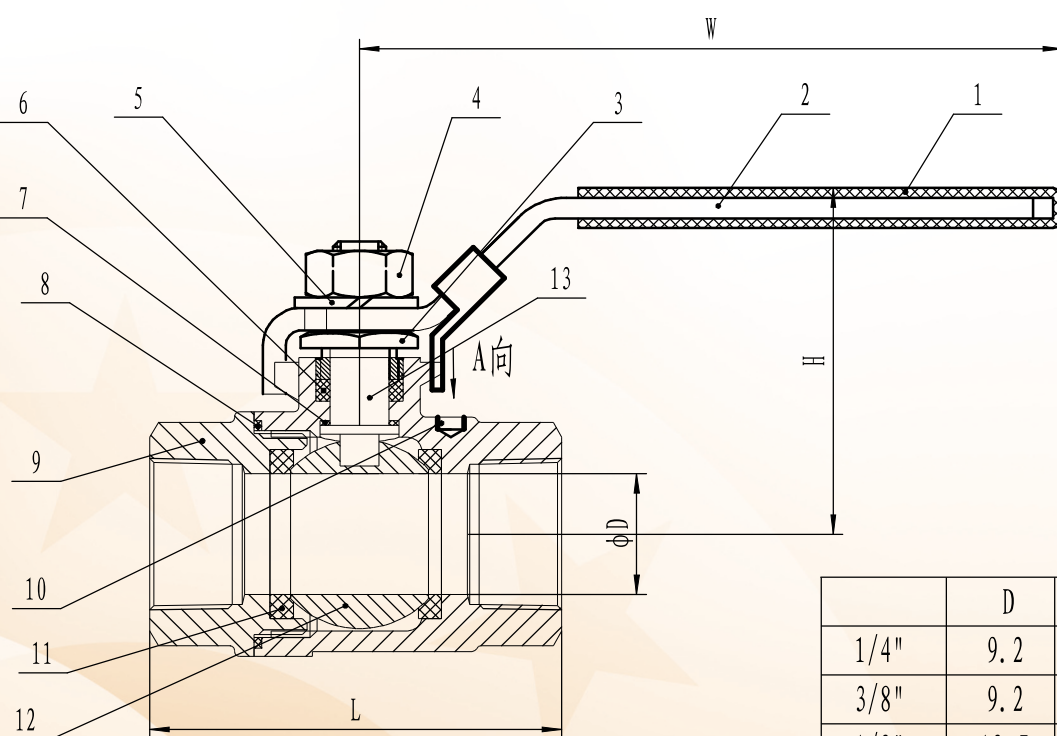
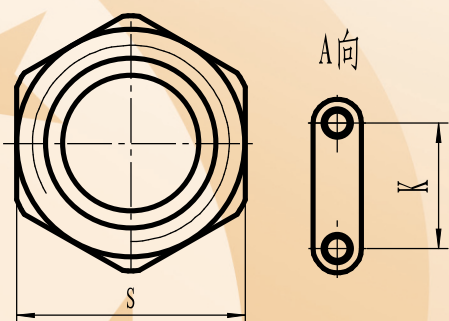


Golyócsap

BB menetes, 2 részes, teljes átfolyású, 2000 PSI NKB 251
2 PC Ball Valve, 2000WOG



13	STEM		304/316
12	BALL	1	304/316
11	BALL SEAT	2	PTFE
10	BODY	1	304/316/WCB
9	CAP	1	304/316/WCB
8	JOINT GASKET	1	PTFE
7	THRUST WASHER	1	PTFE
6	STEM PACKING	1	PTFE
5	SPRING WASHER	1	304
4	STEM NUT	1	304
3	GLAND NUT	1	304/316
2	HANDLE	1	304
1	PLASTIC SLEEVE	1	PLASTIC



	D	L	H	W	S	k
1/4"	9.2	54.3	48	91	25	28.5
3/8"	9.2	54.3	48	91	25	28.5
1/2"	12.7	61	52	103	30	28.5
3/4"	20	70	61	111	36	34.8
1"	25	82	65	126	44.6	34.8
1-1/4"	32	91.5	79	154	54	38.1
1-1/2"	38	113	83	154	61	38.1
2"	50	124	97	191	75	38.1
2-1/2"	64	160.5	129	244	90	55.5
3"	76	175	138	244	107.3	55.5
4"	94	240	175	317	130	63