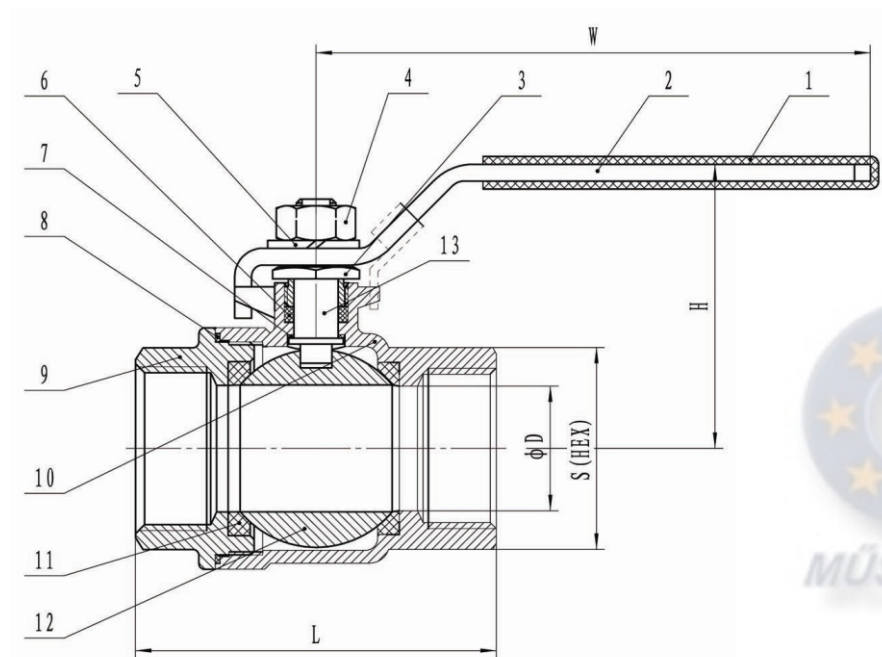


Golyócsap

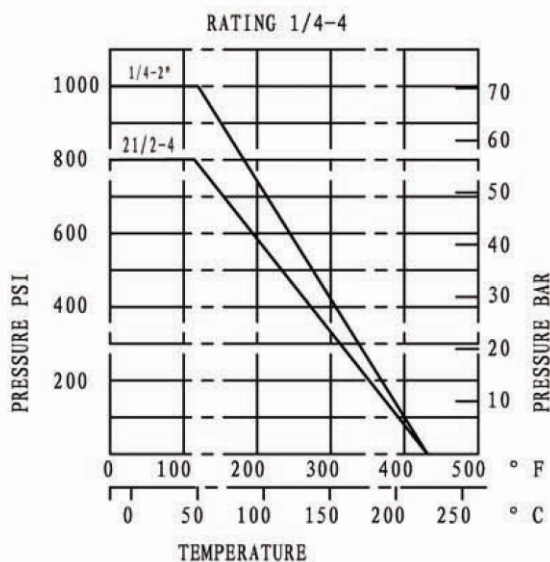
BB menetes, 2 részes, standard NKB 221

2 PC Ball Valve



	D	L	H	W	S
1/4"	11.6	48.5	48	91	19
3/8"	12.5	48.5	48	91	21
1/2"	15	58	52	105	25.5
3/4"	20	64	61	111	31
1"	25	77	65	126	37.5
1-1/4"	32	90	79	154	46.5
1-1/2"	38	98	83	154	53.5
2"	50	121	97	192	66
2-1/2"	64	145	129	246	82.5
3"	76	166	138	246	97.5
4"	94	240	175	317	130

13		STEM	1	SUS316/304
12		BALL	1	CF8M/CF8
11		BALL SEAT	2	PTFE
10		BODY	1	CF8M/CF8
9		CAP	1	CF8M/CF8
8		JOINT GASKET	1	PTFE
7		THRUST WASHER	1	PTFE
6		STEM PACKING	1	PTFE
5		SPRING WASHER	1	SUS304
4		STEM NUT	1	SUS304
3		GLAND NUT	1	SUS304
2		HANDLE	1	SUS304
1		PLASTIC SLEEVE	1	PLASTIC



TWO PIECE SCREWED BALL VALVES

- For food and general chemical service application
- Adjustable stem packing
- Blow-out-proof stem design
- Body and end caps quality investment casting
- Available in carbon or stainless steel body construction
- 100% tested by air under water, at 100 psi, open and closed positions

SPECIFICATIONS

- Working pressure: 1/4" - 2" 1000 psi W. O. G.
2 1/2" - 4" 800 psi W. O. G.
- End types: threaded

OPTIONS

- Padlocking device