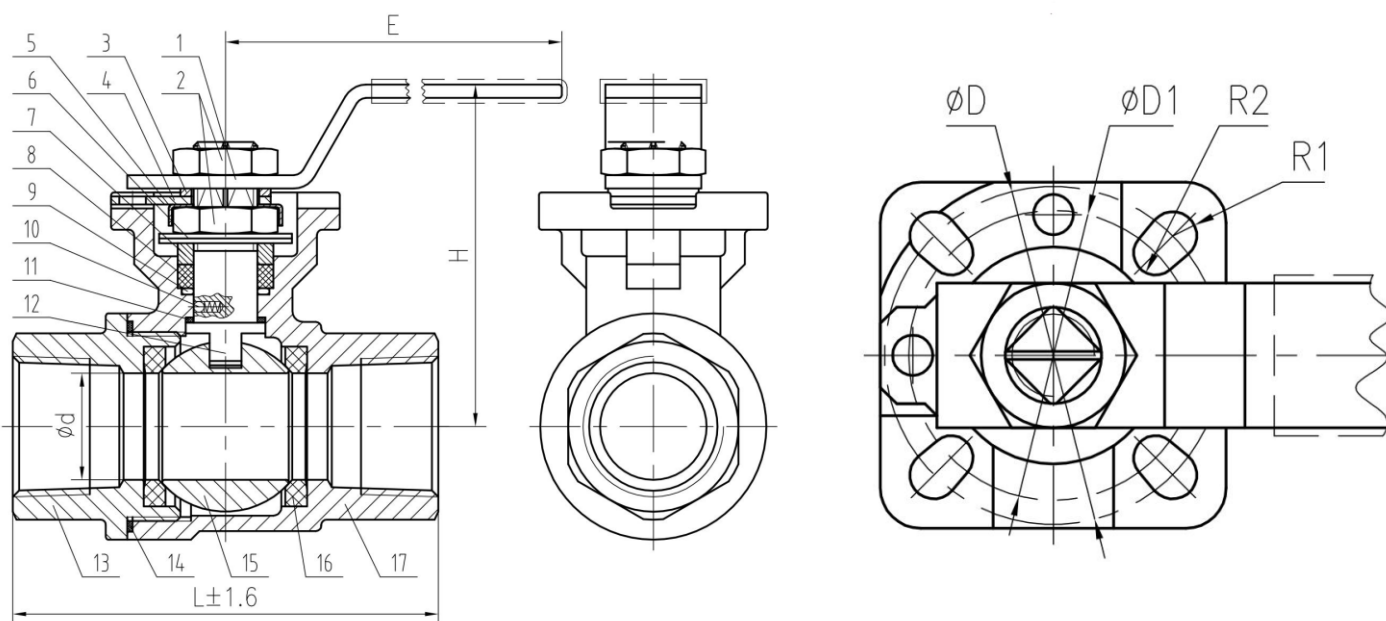


Golyócsap

BB menetes, 2 részes, meghajtásra előkészített, kézikarral NKB 201M
2 PC Ball Valve with mounting pad



	1/2"	3/4"	1"	1 1/4"	1 1/2"	2"	2 1/2"	3"	4"
d	15	20	25	32	38	49	65	78	98
L	75	80	90	110	120	140	185	205	240
H	64	80	93	95	126	129	148	152	187
E	110	120	145	145	160	170	230	260	300
D	42	42	50	50	70	70	102	102	102
D1	36	36	42	42	50	50	70	70	70
R1	3	3	3.5	3.5	4.5	4.5	5.5	5.5	5.5
R2	3	3	3	3	3.5	3.5	4.5	4.5	4.5

NO.	PART NAME	MATERIAL	NO.	PART NAME	MATERIAL
1	Handle	201	10	Anti-static-devices	304/316
2	Nut	304/316	11	Thrust Gasket	PTFE
3	Square Washer	304/316	12	Stem	304/316
4	Limit Stop	304/316	13	Cap	WCB/CF8/CF8M
5	Stop-lock-cap	304/316	14	Gasket	PTFE
6	Belleville Washer	304/316	15	Ball	304/316
7	Bushing	304/316	16	Seat	PTFE
8	Packing	PTFE	17	Body	WCB/CF8/CF8M
9	O-Ring	NBR	18		