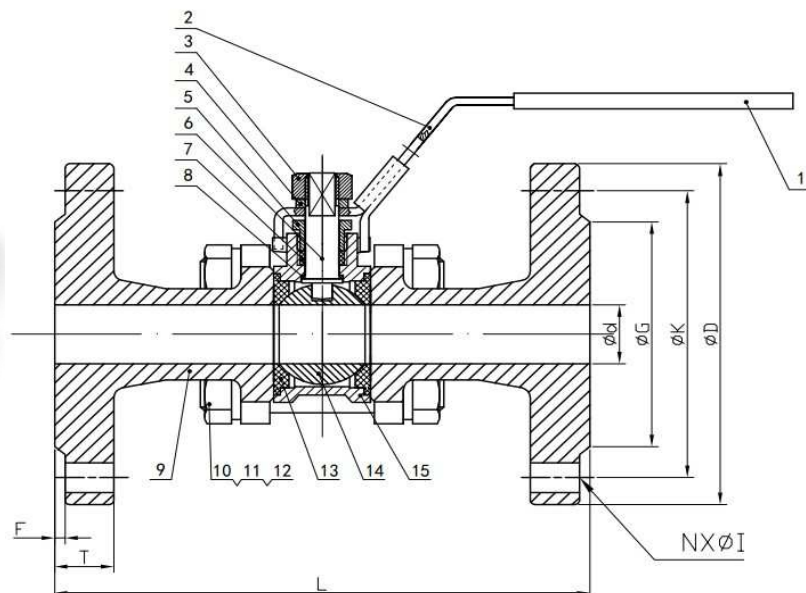


Golyócsap

3 részes, karimás, teljes átfolyású PN40

3PC FLANGED BALL VALVE PN40



DN	d	L	G	K	D	T	F	N-I
15	15	130	45	65	95	16	2	4-Ø 14
20	20	150	58	75	105	18		
25	25	160	68	85	115			
32	32	180	78	100	140			
40	38	200	88	110	150	20	3	4-Ø 18
50	50	230	102	125	165			
65	65	290	122	145	185		22	8-Ø 18
80	76	310	138	160	200			
100	94	350	162	190	235	24	8-Ø 22	

ITEM	DESCRIPTION	MATERIAL
1	PLASTIC COVER	PLASTIC
2	HANDLE	304
3	NUT	304
4	THRUST WASHER	304
5	GLAND	304
6	STEM	304/316
7	STEM PACKINGS	PTFE
8	STEM SEAL	PTFE
9	CAP	CF8/CF8M/WCB
10	BOLTS	304
11	BOLT NUTS	304
12	BOLT WASHERS	304
13	BOLT SEAT	RPTFE
12	BALL	304/316
13	BODY	CF8/CF8M/WCB

FEATURES

Handle with lock can be choiced.
Working pressure:PN40
Pressure test: API 598
Working temperature:- 10°C to 150°C
Suitable medium:W.O.G.
PED97/23/EC(CE0038) Approved
Inspection Testing:API598,EN 12266
Flange End: DIN2635-PN40
Face to Face:DIN3202-F1
Full bore