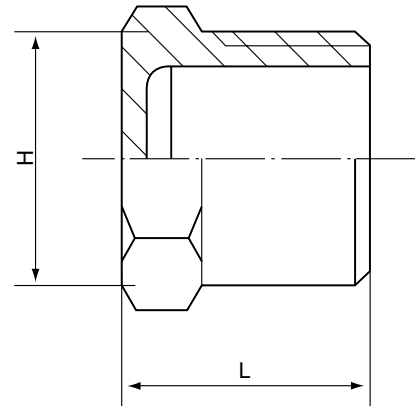


Saválló menetes záródugó hatlapfejű NK 1031

Hex. Plug



Standard	SIZE	1/8	1/4	3/8	1/2	3/4	1	1 1/4	1 1/2	2	2 1/2	3	4
ISO4144 *	H	11	15	18	22	28	35	43.5	49.5	62	77.5	90.5	117
	L	12	14.5	16	19.5	21	24	27	27	32	34	37.5	44
Standard	SIZE	1/8	1/4	3/8	1/2	3/4	1	1 1/4	1 1/2	2	2 1/2	3	4
EN-10241 *	H	14	16	18	26	30	35	45	52	63	81	95	118
	L	13.4	15.2	16.5	21	24	27	30	38	36	45	47	52
Standard	SIZE	1/8	1/4	3/8	1/2	3/4	1	1 1/4	1 1/2	2	2 1/2	3	4
JIS	H	13.8	16.7	21	25	29	37	48	53	63	80	92	116
	L	16.8	18	19	21	26	27.6	32	32	37.6	44	46	52
Standard	SIZE	1/8	1/4	3/8	1/2	3/4	1	1 1/4	1 1/2	2	2 1/2	3	4
SP-114	H	13.6	16.6	20.6	25.8	30.5	37.5	45.4	52.1	62.5	79.2	92.2	117.2
	L	16.9	18	18.9	22	25	27	30	31.8	35.7	38.9	43.9	50.6

* Raktáron

FEATURES

- The thread ends conform to ASME B1.20.1(NPT)
DIN 2999 & BS21
ISO 228/1 & ISO 7/1
- Dimension conform to ISO 4144, SP114
EN-10241, JIS
- 150 LBS
- Material conform to ASTM A351-CF8M/1.4408
ASTM A351-CF8/1.4401
ASTM A216-WCB
AISI 304, 304L, 316, 316L, 301,
430 ECT