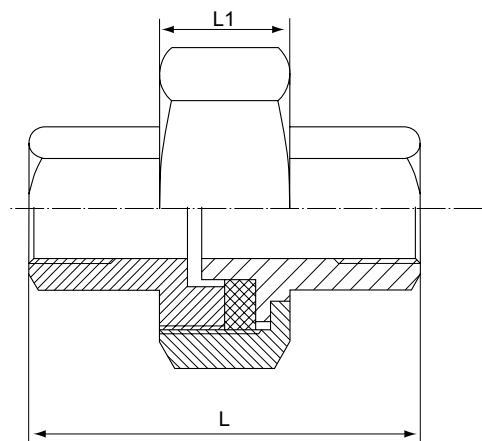


Saválló menetes lapos hollandier BB teflon tömítéssel NK 1021

Union Conical FF



Standard	SIZE	1/8	1/4	3/8	1/2	3/4	1	1 1/4	1 1/2	2	2 1/2	3	4
ISO4144 *	L1	13	13.5	15	16	17	20	22	24	27	29.5	31	34
	L	30	33.5	36.5	39.5	42.5	50	54	58	65	75	83	110
Standard	SIZE	1/8	1/4	3/8	1/2	3/4	1	1 1/4	1 1/2	2	2 1/2	3	4
EN-10241 *	L1	13.5	13.5	15.5	17	19	20.5	23	26	28.5	28.5	30	34
	L	29	37.5	38	42	50.4	48	59	65	69	80	88	108
Standard	SIZE	1/8	1/4	3/8	1/2	3/4	1	1 1/4	1 1/2	2	2 1/2	3	4
SP-114	L1	13.5	13.5	14.5	15.5	16.5	18.5	21	23	25	27	29	32
	L	33	33	34	40	42	49	55	58	63	71	79	92

* Raktáron

FEATURES

- The thread ends conform to
ASME B1.20.1(NPT)
DIN 2999 & BS21
ISO 228/1 & ISO 7/1
- Dimension conform to
ISO 4144, SP114
EN-10241, JIS
- 150 LBS
- Material conform to
ASTM A351-CF8M/1.4408
ASTM A351-CF8/1.4401
ASTM A216-WCB
AISI 304, 304L, 316, 316L, 301, 430 ECT