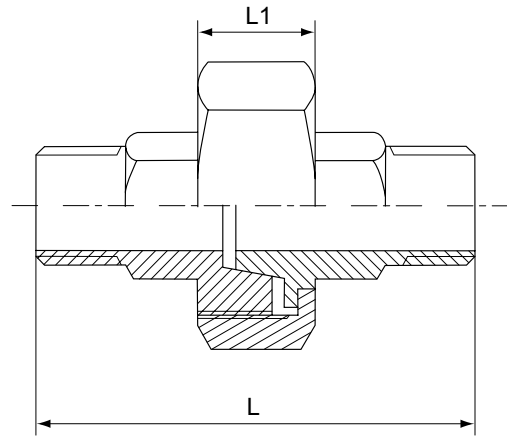
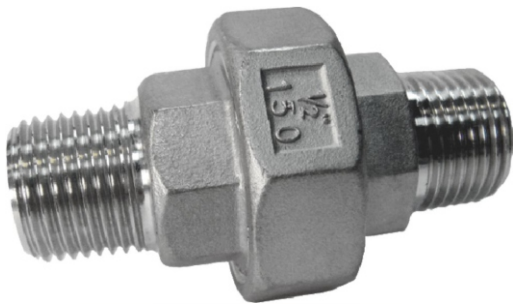


Saválló menetes kúpos hollandier KK teflon tömítéssel NK 1026

Union Conical MM



Standard	SIZE	1/8	1/4	3/8	1/2	3/4	1	1 1/4	1 1/2	2	2 1/2	3	4
ISO4144 *	L1	13	13.5	15	16	17	20	22	24	27	29.5	31	34
	L	46	54.5	58.5	68.5	73.5	86	95	99	115	129	143	182
Standard	SIZE	1/8	1/4	3/8	1/2	3/4	1	1 1/4	1 1/2	2	2 1/2	3	4
EN-10241 *	L1	13.5	13.5	15.5	17	19	20.5	23	26	28.5	28.5	30	34
	L	51	62.5	62	72	83.6	88.6	107	107.6	119	146.6	166	200.6
Standard	SIZE	1/8	1/4	3/8	1/2	3/4	1	1 1/4	1 1/2	2	2 1/2	3	4
SP-114	L1	13.5	13.5	14.5	15.5	16.5	18.5	21	23	25	27	29	32
	L	52	52	57	67	71	84	93	98	103	113	125	136

* Raktáron

FEATURES

- The thread ends conform to
ASME B1.20.1(NPT)
DIN 2999 & BS21
ISO 228/1 & ISO 7/1
- Dimension conform to
ISO 4144, SP114
EN-10241, JIS
- 150 LBS
- Material conform to
ASTM A351-CF8M/1.4408
ASTM A351-CF8/1.4401
ASTM A216-WCB
AISI 304, 304L, 316, 316L, 301, 430 ECT