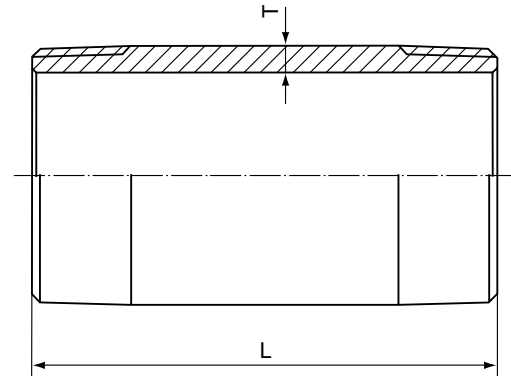


Saválló menetes közdarab NK-1037

Barrel Nipple



| Standard | SIZE | 1/8 | 1/4 | 3/8 | 1/2 | 3/4 | 1 | 1 1/4 | 1 1/2 | 2 | 2 1/2 | 3 | 4 | |
|----------|-------|--------|--------|--------|--------|--------|--------|--------|--------|--------|--------|--------|--------|--------|
| SCH-40 | T | 2 | 2.5 | 2.31 | 2.77 | 2.87 | 3.38 | 3.56 | 3.68 | 3.91 | 5.16 | 5.49 | 6.02 | |
| | L(mm) | 40 | 40 | 40 | 60 | 60 | 60 | 80 | 80 | 100 | 100 | 120 | 150 | |
| | L(in) | 1" | 1" | 1" | 1" | 1" | 1" | 1" | 1" | 1" | 1" | 1" | 1" | 1" |
| | | 1 1/4" | 1 1/4" | 1 1/4" | 1 1/4" | 1 1/4" | 1 1/4" | 1 1/4" | 1 1/4" | 1 1/4" | 1 1/4" | 1 1/4" | 1 1/4" | 1 1/4" |
| | | 1 1/2" | 1 1/2" | 1 1/2" | 1 1/2" | 1 1/2" | 1 1/2" | 1 1/2" | 1 1/2" | 1 1/2" | 1 1/2" | 1 1/2" | 1 1/2" | 1 1/2" |
| | | 2" | 2" | 2" | 2" | 2" | 2" | 2" | 2" | 2" | 2" | 2" | 2" | 2" |
| | | 2 1/2" | 2 1/2" | 2 1/2" | 2 1/2" | 2 1/2" | 2 1/2" | 2 1/2" | 2 1/2" | 2 1/2" | 2 1/2" | 2 1/2" | 2 1/2" | 2 1/2" |
| | | 3" | 3" | 3" | 3" | 3" | 3" | 3" | 3" | 3" | 3" | 3" | 3" | 3" |
| | | 4" | 4" | 4" | 4" | 4" | 4" | 4" | 4" | 4" | 4" | 4" | 4" | 4" |
| | | 5" | 5" | 5" | 5" | 5" | 5" | 5" | 5" | 5" | 5" | 5" | 5" | 5" |
| 6" | 6" | 6" | 6" | 6" | 6" | 6" | 6" | 6" | 6" | 6" | 6" | 6" | | |
| 8" | 8" | 8" | 8" | 8" | 8" | 8" | 8" | 8" | 8" | 8" | 8" | 8" | | |
| SCH-80 | T | 2.41 | 3.02 | 3.2 | 3.73 | 3.91 | 4.55 | 4.85 | 5.08 | 5.54 | 7.01 | 7.62 | 8.56 | |
| | L(mm) | 40 | 40 | 40 | 60 | 60 | 60 | 80 | 80 | 100 | 100 | 120 | 150 | |
| | L(in) | 1" | 1" | 1" | 1" | 1" | 1" | 1" | 1" | 1" | 1" | 1" | 1" | 1" |
| | | 1 1/4" | 1 1/4" | 1 1/4" | 1 1/4" | 1 1/4" | 1 1/4" | 1 1/4" | 1 1/4" | 1 1/4" | 1 1/4" | 1 1/4" | 1 1/4" | 1 1/4" |
| | | 1 1/2" | 1 1/2" | 1 1/2" | 1 1/2" | 1 1/2" | 1 1/2" | 1 1/2" | 1 1/2" | 1 1/2" | 1 1/2" | 1 1/2" | 1 1/2" | 1 1/2" |
| | | 2" | 2" | 2" | 2" | 2" | 2" | 2" | 2" | 2" | 2" | 2" | 2" | 2" |
| | | 2 1/2" | 2 1/2" | 2 1/2" | 2 1/2" | 2 1/2" | 2 1/2" | 2 1/2" | 2 1/2" | 2 1/2" | 2 1/2" | 2 1/2" | 2 1/2" | 2 1/2" |
| | | 3" | 3" | 3" | 3" | 3" | 3" | 3" | 3" | 3" | 3" | 3" | 3" | 3" |
| | | 4" | 4" | 4" | 4" | 4" | 4" | 4" | 4" | 4" | 4" | 4" | 4" | 4" |
| | | 5" | 5" | 5" | 5" | 5" | 5" | 5" | 5" | 5" | 5" | 5" | 5" | 5" |
| 6" | 6" | 6" | 6" | 6" | 6" | 6" | 6" | 6" | 6" | 6" | 6" | 6" | | |
| 8" | 8" | 8" | 8" | 8" | 8" | 8" | 8" | 8" | 8" | 8" | 8" | 8" | | |

FEATURES

- The thread ends conform to
 - ASME B1.20.1(NPT)
 - DIN 2999 & BS21
 - ISO 228/1 & ISO 7/1
- Dimension conform to
 - ISO 4144, SP114
 - EN-10241, JIS
- 150 LBS
- Material conform to
 - ASTM A351-CF8M/1.4408
 - ASTM A351-CF8/1.4401
 - ASTM A216-WCB
 - AISI 304, 304L, 316, 316L, 301, 430 ECT
- MADE FROM CASTING, WELD PIPE OR SEAMLESS PIPE