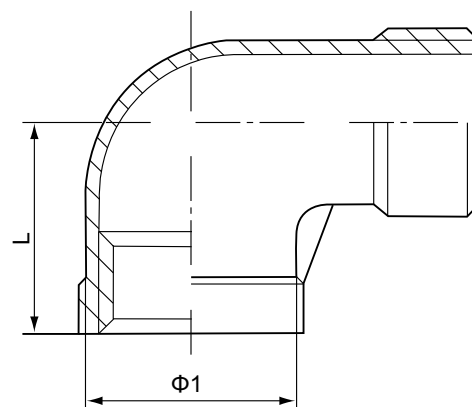


# Saválló menetes könyök 90° KB NK 1002

## Street Elbow 90° MF



Standard	SIZE	1/8	1/4	3/8	1/2	3/4	1	1 1/4	1 1/2	2	2 1/2	3	4
ISO4144 *	Φ1	13	16	20	24.5	30	37.5	46.5	53	65.5	82	95.5	121.5
	L	17	19	23	27	32	38	45	48	57	69	78	97
Standard	SIZE	1/8	1/4	3/8	1/2	3/4	1	1 1/4	1 1/2	2	2 1/2	3	4
EN-10241 *	Φ1	17	21	25	29	35	43	52	58.8	71.7	86.2	98.6	121
	L	19	21	25	28	33	38	45	50	58	69	78	97
Standard	SIZE	1/8	1/4	3/8	1/2	3/4	1	1 1/4	1 1/2	2	2 1/2	3	4
JIS	Φ1	16	19	22	26	32	39	48	55	67	83.5	97	123
	L	17	19	23	27	32	38	46	48	57	69	78	96
Standard	SIZE	1/8	1/4	3/8	1/2	3/4	1	1 1/4	1 1/2	2	2 1/2	3	4
SP-114	Φ1	13.5	15.4	19.7	26.2	31.9	39.8	47.8	55.9	66.5	83.3	98.2	123
	L	20.6	20.6	23.6	28.5	33.3	38.1	44.5	49	57.1	68	77.6	96.8

\* Raktáron

### FEATURES

- The thread ends conform to  
ASME B1.20.1(NPT)  
DIN 2999 & BS21  
ISO 228/1 & ISO 7/1
- Dimension conform to  
ISO 4144  
SP114  
EN-10241  
JIS
- 150 LBS
- Material conform to  
ASTM A351-CF8M/1.4408  
ASTM A351-CF8/1.4401  
ASTM A216-WCB  
AISI 304, 304L, 316, 316L, 301, 430 ECT