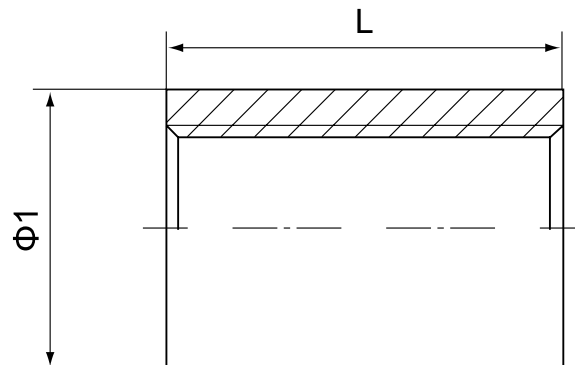
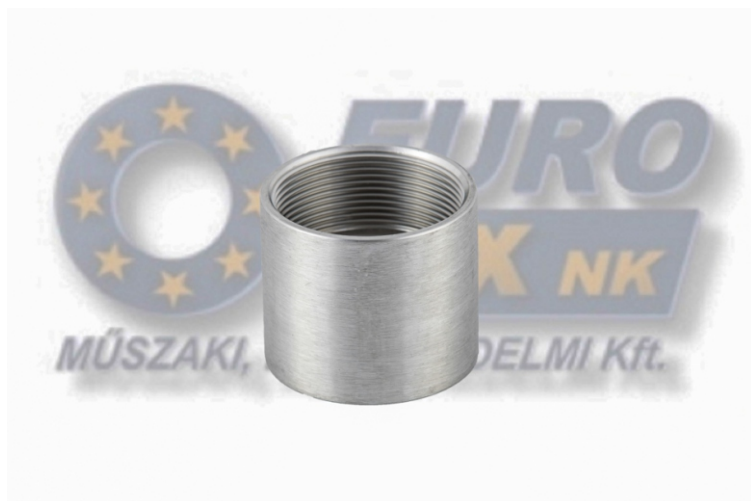


Saválló menetes karmantyú NPT menetes NK 1028 Couplings



Standard	SIZE	1/8	1/4	3/8	1/2	3/4	1	1 1/4	1 1/2	2	2 1/2	3	4
ISO4144 *	Φ1	13	16.5	20	24.5	30	37.5	46.5	53	65.5	82	95.5	121.5
	L	17	24	25	32	35	41	45	45	54	63	69	81
Standard	SIZE	1/8	1/4	3/8	1/2	3/4	1	1 1/4	1 1/2	2	2 1/2	3	4
EN-10241 *	Φ1	15	18.5	21.3	26.4	31.8	39.5	49.3	55.5	69	87	103	126
	L	15	25	26	34	36	43	48	48	56	65	71	83
Standard	SIZE	1/8	1/4	3/8	1/2	3/4	1	1 1/4	1 1/2	2	2 1/2	3	4
JIS	Φ1	16	19	22	26	32	39	48	55	67	83.5	97	123
	L	17	19	23	27	32	38	46	48	57	69	78	96
Standard	SIZE	1/8	1/4	3/8	1/2	3/4	1	1 1/4	1 1/2	2	2 1/2	3	4
SP-114	Φ1	14	18.5	21.5	26	32	39	48	54	66.5	82	95	122
	L	20	25	25	33	35	42	47	47	56	65	70	80

* Raktáron

FEATURES

- The thread ends conform to
ASME B1.20.1(NPT)
DIN 2999 & BS21
ISO 228/1 & ISO 7/1
- Dimension conform to
ISO 4144, SP114
EN-10241, JIS
- 150 LBS
- Material conform to
ASTM A351-CF8M/1.4408
ASTM A351-CF8/1.4401
ASTM A216-WCB
AISI 304, 304L, 316, 316L, 301, 430 ECT
- MADE FROM CASTING, WELD PIPE OR SEAMLESS PIPE