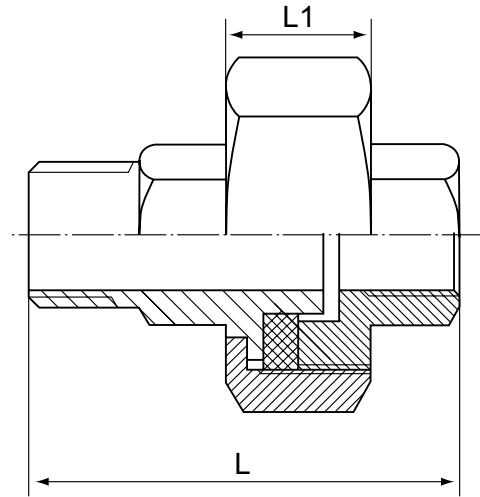


# Saválló menetes lapos hollandier KB Teflon tömítéssel NK 1025

## Union Teflon Flat MF



Standard	SIZE	1/8	1/4	3/8	1/2	3/4	1	1 1/4	1 1/2	2	2 1/2	3	4
ISO4144 *	L1	13	13.5	15	16	17	20	22	24	27	29.5	31	34
	L	38	44	47.5	54	58	68	74.5	78.5	90	102	113	146
Standard	SIZE	1/8	1/4	3/8	1/2	3/4	1	1 1/4	1 1/2	2	2 1/2	3	4
EN-10241 *	L1	13.5	13.5	15.5	17	19	20.5	23	26	28.5	28.5	30	34
	L	40	50	50	57	67	68.3	83	86.3	94	113.3	127	154
Standard	SIZE	1/8	1/4	3/8	1/2	3/4	1	1 1/4	1 1/2	2	2 1/2	3	4
SP-114	L1	13.5	13.5	14.5	15.5	16.5	18.5	21	23	25	27	29	32
	L	42.5	42.5	45.5	53.5	56.5	66.5	74	78	83	92	102	114

\* Raktáron

### FEATURES

- The thread ends conform to  
ASME B1.20.1(NPT)  
DIN 2999 & BS21  
ISO 228/1 & ISO 7/1
- Dimension conform to  
ISO 4144, SP114  
EN-10241, JIS
- 150 LBS
- Material conform to  
ASTM A351-CF8M/1.4408  
ASTM A351-CF8/1.4401  
ASTM A216-WCB  
AISI 304, 304L, 316, 316L, 301, 430 ECT