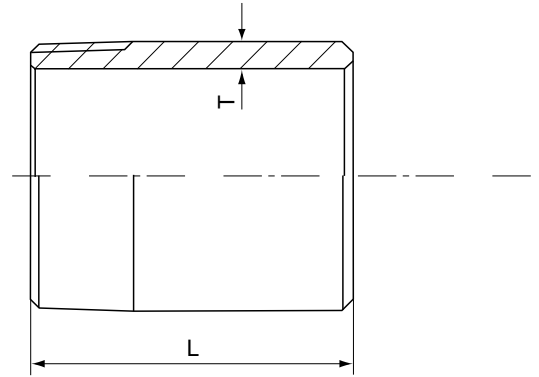


# Saválló menetes csővég NPT menetes NK 1035

## Welding Nipple



Standard	SIZE	1/8	1/4	3/8	1/2	3/4	1	1 1/4	1 1/2	2	2 1/2	3	4	
SCH-40	T	2	2.5	2.31	2.77	2.87	3.38	3.56	3.68	3.91	5.16	5.49	6.02	
	L(mm)	30	30	30	35	40	40	50	50	50	60	70	80	
	L(in)	1"	1"	1"	1"	1"	1"	1"	1"	1"	1"	1"	1"	1"
		1 1/4"	1 1/4"	1 1/4"	1 1/4"	1 1/4"	1 1/4"	1 1/4"	1 1/4"	1 1/4"	1 1/4"	1 1/4"	1 1/4"	1 1/4"
		1 1/2"	1 1/2"	1 1/2"	1 1/2"	1 1/2"	1 1/2"	1 1/2"	1 1/2"	1 1/2"	1 1/2"	1 1/2"	1 1/2"	1 1/2"
		2"	2"	2"	2"	2"	2"	2"	2"	2"	2"	2"	2"	2"
		2 1/2"	2 1/2"	2 1/2"	2 1/2"	2 1/2"	2 1/2"	2 1/2"	2 1/2"	2 1/2"	2 1/2"	2 1/2"	2 1/2"	2 1/2"
		3"	3"	3"	3"	3"	3"	3"	3"	3"	3"	3"	3"	3"
		4"	4"	4"	4"	4"	4"	4"	4"	4"	4"	4"	4"	4"
		5"	5"	5"	5"	5"	5"	5"	5"	5"	5"	5"	5"	5"
6"	6"	6"	6"	6"	6"	6"	6"	6"	6"	6"	6"	6"		
8"	8"	8"	8"	8"	8"	8"	8"	8"	8"	8"	8"	8"		
Standard	SIZE	1/8	1/4	3/8	1/2	3/4	1	1 1/4	1 1/2	2	2 1/2	3	4	
SCH-80	T	2.41	3.02	3.2	3.73	3.91	4.55	4.85	5.08	5.54	7.01	7.62	8.56	
	L(mm)	30	30	30	35	40	40	50	50	50	60	70	80	
	L(in)	1"	1"	1"	1"	1"	1"	1"	1"	1"	1"	1"	1"	1"
		1 1/4"	1 1/4"	1 1/4"	1 1/4"	1 1/4"	1 1/4"	1 1/4"	1 1/4"	1 1/4"	1 1/4"	1 1/4"	1 1/4"	1 1/4"
		1 1/2"	1 1/2"	1 1/2"	1 1/2"	1 1/2"	1 1/2"	1 1/2"	1 1/2"	1 1/2"	1 1/2"	1 1/2"	1 1/2"	1 1/2"
		2"	2"	2"	2"	2"	2"	2"	2"	2"	2"	2"	2"	2"
		2 1/2"	2 1/2"	2 1/2"	2 1/2"	2 1/2"	2 1/2"	2 1/2"	2 1/2"	2 1/2"	2 1/2"	2 1/2"	2 1/2"	2 1/2"
		3"	3"	3"	3"	3"	3"	3"	3"	3"	3"	3"	3"	3"
		4"	4"	4"	4"	4"	4"	4"	4"	4"	4"	4"	4"	4"
		5"	5"	5"	5"	5"	5"	5"	5"	5"	5"	5"	5"	5"
6"	6"	6"	6"	6"	6"	6"	6"	6"	6"	6"	6"	6"		
8"	8"	8"	8"	8"	8"	8"	8"	8"	8"	8"	8"	8"		

### FEATURES

- The thread ends conform to  
ASME B1.20.1(NPT)  
DIN 2999 & BS21  
ISO 228/1 & ISO 7/1
- Dimension conform to  
ISO 4144, SP114  
EN-10241, JIS
- 150 LBS
- Material conform to  
ASTM A351-CF8M/1.4408  
ASTM A351-CF8/1.4401  
ASTM A216-WCB  
AISI 304, 304L, 316, 316L, 301, 430 ECT
- MADE FROM CASTING, WELD PIPE OR  
SEAMLESS PIPE