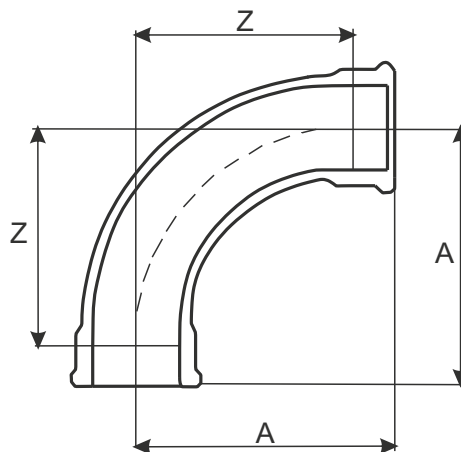


Ív 90° BB

Bend 90° FF

EN 10242:G1



Code Black	Code Galv.	Méret	A (mm)	Z (mm)
FC00212	FP00212	1/2	55	43
FC00234	FP00234	3/4	69	55,5
FC0021	FP0021	1	85	69,5
FC00254	FP00254	5/4	105	87,5
FC00264	FP00264	6/4	116	98