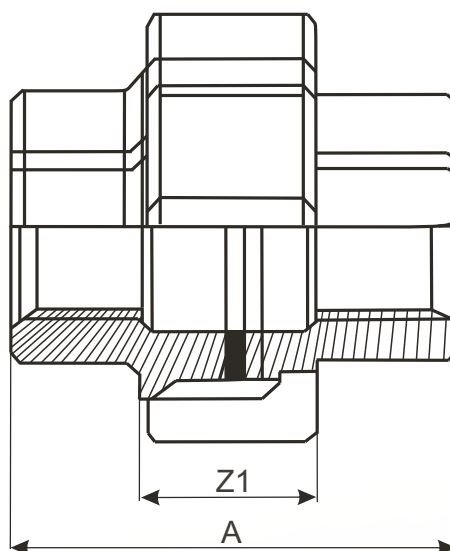


Hollandi lapos BB

Union with flat seat FF

EN 10242:U1



Code Black	Code Galv.	Méret	A (mm)	Z1 (mm)
FC33012	FP33012	1/2	41	19
FC33034	FP33034	3/4	46	21
FC3301	FP3301	1	51	22
FC33054	FP33054	5/4	56	24
FC33064	FP33064	6/4	60,6	26,6
FC3302	FP3302	2	67	29
FC33025	FP33025	2 1/2	75	33
FC3303	FP3303	3	83,5	37,5
FC3304	FP3304	4	113,5	57,5