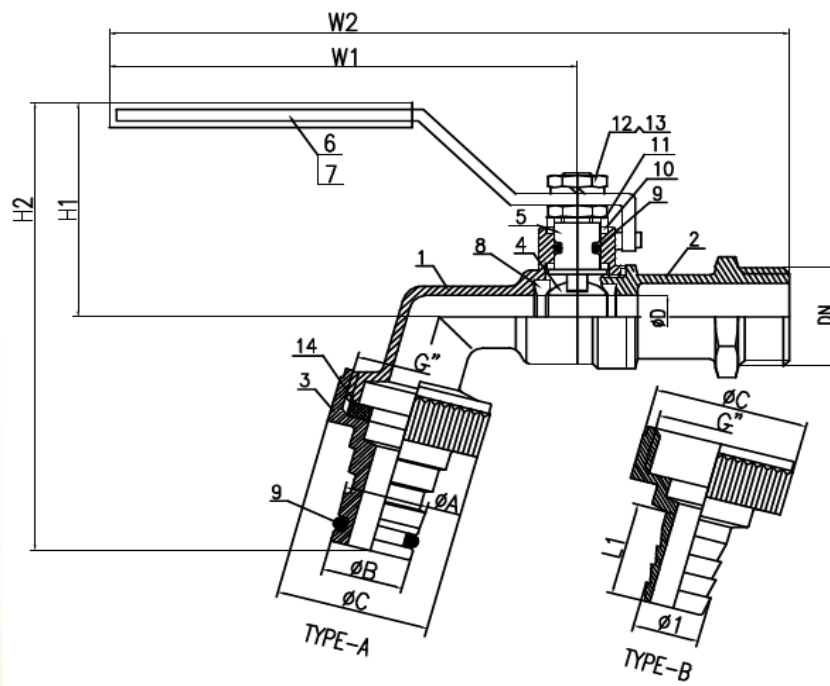


## Kifolyócsap I típus

### BIBCOCK VALVES Type I



#### MATERIAL LIST 1

ITEM	DESCRIPTION	MATERIAL
1	BODY	CF8/CF8M
2	CAP	CF8/CF8M
3	NIPPLE	CF8/CF8M
4	BALL	CF8/CF8M
5	STEM	304
6	HANDLE	304
7	PLASTIC COVER	PLASTIC

#### MATERIAL LIST 2

ITEM	DESCRIPTION	MATERIAL
8	BALL SEATS	RPTFE
9	O-Ring	NBR
10	STEM PACKING	PTFE
11	FLAT PAD	304
12	NUT	304
13	SPRING WASHER	304
14	NIPPLE GASKET	EPDM

#### Bibcock( Measures:mm)

DN	ΦA	ΦB	ΦC	ΦD	G"	H1	H2	W1	W2	Φ1	L1
1/2"	16.5	16.0	29.5	9.2	3/4"	45.0	92.0	90.0	135.0	13.0	20.0
3/4"	16.5	16.0	36.5	12.5	1"	45.0	97.0	90.0	135.0	16.5	20.0
1"	16.5	16.0	36.5	14.5	1"	54.0	105.0	114.0	183.0	16.5	20.0