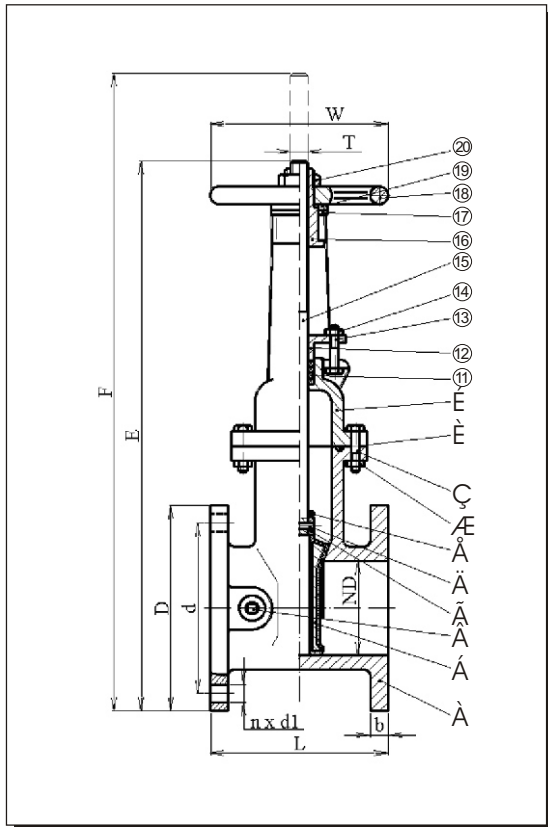


RESILIENT SEATED GATE VALVE RISING STEM WITH FLANGES

Table 1



No.	Description	Material
20	Wheel Lock Nut	ASTM B16
19	Yoke Lock Nut	ASTM B16
18	Handwheel	ASTM A126 cl. B
17	Washer for DN 6"	ASTM B62
16	Yoke Sleeve	ASTM B62
15	Stem	ASTM B16
14	Hex Nut	ASTM B16
13	Follower	ASTM A126 cl. B
12	Packing	sq Braited PTFE + graphite
11	Hex. Hd. Bolt	ASTM A307 gr. B - zinc coated
10	Bonnet	ASTM A126 cl. B
9	Gasket	Rubber NBR
8	Hex. Hd. Bolt	ASTM A307 gr. B - zinc coated
7	Hex Nut	ASTM A307 gr. B - zinc coated
6	"O" Ring	Rubber NBR
5	Wedge Pin	AISI 304
4	Wedge Nut	ASTM B16
3	Plug	AISI 304
2	Wedge	ASTM A126 cl. B + NBR Coated
1	Body	ASTM A126 cl. B

Fig. 1

Class	Size	Dimensions							
		inch	2 1/2"	3"	4"	6"	8"	10"	
200	L	±0.06	inch	7½	8	9	10½	11½	13
		±1.6	mm	190.5	203.2	228.5	266.5	292.1	330.2
	D	±0.06	inch	7	7½	9	11	13½	16
		±1.6	mm	177.8	190.5	228.5	279.5	342.9	406.4
	W		inch	7½	10	10	12	14	16
			mm	190.5	254	254	304.8	355.6	406.4
	*E		inch	13 7/8	15 5/8	18¼	23¼	29¼	35 3/8
			mm	352	397	464	603	743	899
	*F		inch	16 3/8	18 7/8	22¾	30 1/8	37¼	45¾
			mm	416	479	578	765	959	1162
	d	±0.06	inch	5½	6	7 1/2	9 1/2	11.75	14.25
		±1.6	mm	139.7	152.4	190.5	241.3	298.5	361.9
	nxdl	±0.03	inch	4 x 0.75	4x0.75	8x0.75	8x0.88	8x0.88	12x1.0
		±0.8	mm	4 x 19	4x19	8x19	8x22	8x22	12x25.4
	b	+0.12	inch	11/16	¾	15/16	1	1 1/8	1 3/8
		0							
		+3	mm	17.5	19	23.8	25.4	28.5	30
	T		inch	0.75	1	1	1.125	1.25	1.375
			mm	19.1	25.4	25.4	28.5	31.8	34.9
	Plug	No/inch	1½"-14NPT 2¾"-14NPT	¾"-14 NPT	¾"-14 NPT	¾"-14 NPT	¾"-14 NPT	¾"-14 NPT	¾"-14 NPT
*Weight	lbs		55	70	100	150	250	400	
	kg		25	32	45	68	114	182	

Table 2

* Approximated values;