

CAST IRON GATE VALVES RISING STEM

Table 1

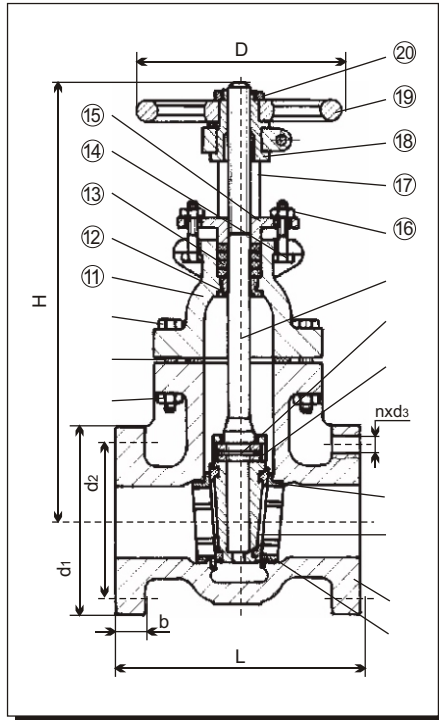


Fig. 1

No.	Description	Material
20	Yoke Lock Nut	Brass
19	Handwheel	A126 cl B
18	Yoke Sleeve	Bronze
17	Yoke	A126 cl B
16	Gland Nut	Carbon steel
15	Follower	A126 cl B
14	Gland Bolt	Gr. 5
13	Packing	Asbestos free
12	Back seat	A126 cl B
11	Bonnet	A126 cl B
10	Body Bolt	Carbon steel
9	Body Gasket	Asbestos free
8	Body Nut	Gr. 5
7	Stem	Brass
6	Wedge Pin	Stainless steel
5	Wedge Nut	Brass
4	Wedge Ring	Bronze
3	Wedge	A126 cl B
2	Body Seat Ring	Bronze
1	Body	A 126 cl B

Table 2

Class	Size	Dimensions								
		2" 50	2 1/2" 65	3" 80	4" 100	6" 150	8" 200	10" 250	12" 300	
125	L	mm	177.8	190.5	203.2	228.5	266.5	292.1	330.2	355.6
		inch	7	7.5	8	9	10.5	11.5	13	14
	H open	mm	370	416	480	578	795	995	1205	1405
		inch	14.6	16.4	18.9	22.8	31.3	39.2	47.4	55.3
	D	mm	190.5	190.5	228.5	254	304.8	355.6	406.4	457.2
		inch	7.5	7.5	9	10	12	14	16	18
	d1	mm	152.4	177.8	190.5	228.6	279.5	342.9	406.4	482.6
		inch	6	7	7.5	9	11	13.5	16	19
	d2	mm	120.6	139.7	152.4	190.5	241.3	298.5	361.9	431.8
		inch	4.75	5.50	6	7.50	9.50	11.75	14.25	17.00
nxd ₃	mm	4 x 19	4 x 19	4 x 19	8 x 19	8 x 22	8 x 22	12 x 25.4	12 x 25.4	
	inch	4 x 0.75	4 x 0.75	4 x 0.75	8 x 0.75	8 x 0.88	8 x 0.88	12 x 1.0	12 x 1.0	
b	mm	16	17.5	19	24	25.4	28.5	30.3	31.8	
	inch	0.62	0.69	0.75	0.94	1.0	1.12	1.19	1.25	
weight	kg	17.5	24.5	32.7	47.2	84.9	126.2	198.3	292.6	
	lb	38.6	54	72	104	187	290	455	672	
250	L	mm	216	241.3	292.6	304.8	403.2	419.1	457	501.5
		inch	8.5	9.5	11.5	12.0	15.9	16.5	18	19.75
	H open	mm	402	436	507	645	829	1063	1273	1485
		inch	15.8	17.2	21.1	25.4	32.6	41.8	50.1	58.5
	D	mm	190.5	190.5	250	304.8	355.6	406.4	457.2	508
		inch	7.5	7.5	9.85	12	14	16	18	20
	d1	mm	165	190.5	209.6	254	317.5	381	445	521
		inch	6.5	7.5	8.25	10	12.5	15	17.5	20.5
	d2	mm	127	149	168	200	270	330	387	451
		inch	5	5.88	6.62	7.88	10.62	13.0	15.25	17.75
nxd ₃	mm	8 x 19	8 x 22	8 x 22	8 x 22	12 x 22	12 x 25	16 x 29	16 x 32	
	inch	8 x 0.75	8 x 0.88	8 x 0.88	8 x 0.88	12 x 0.88	12 x 1	16 x 1.12	16 x 1.25	
b	mm	22.2	25	28.5	31.7	36.5	41.3	47.5	50.5	
	inch	0.88	1.00	1.12	1.25	1.44	1.62	1.88	2.00	
weight	kg	26	35	54	81.5	152	236	376	564	
	lb	57	77	119	180	335	520	829	1245	