

FORGED GATE VALVES - RISING STEM

Table 1

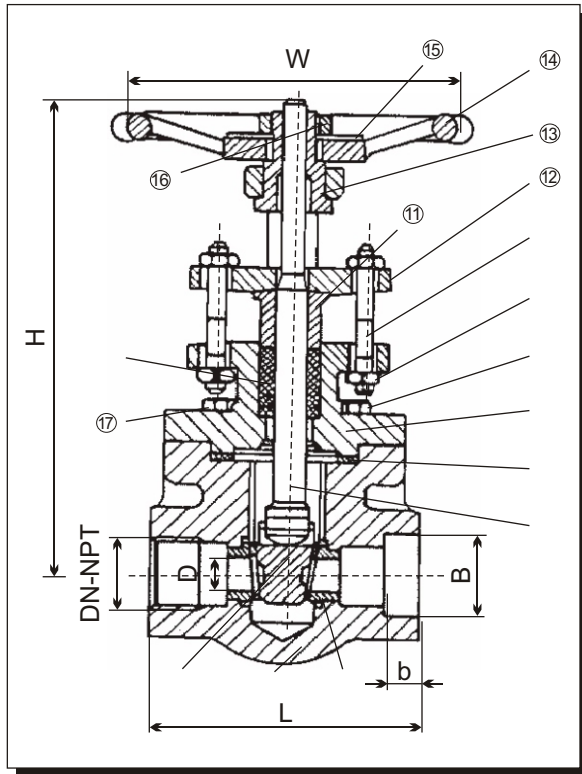


Fig. 1

No.	Description	Material
17	Stud Nuts	A 194 - 2H
16	Set Screw	Carbon Steel
15	Name Plate	Aluminium
14	Handwheel	A 216 WCB or A 536 Gr. 60-42-10
13	Yoke Sleeve	A 439 D2
12	Gland Flange	A 105 N
11	Gland	A 182 F 6a
10	Studs	A 182 F 6a
9	Stud Nuts	A 194 2H
8	Packing	Graphite
7	Cap Screws	A 193 B7
6	Bonnet	A 105 N
5	Gasket	Spiral wound 304 + graphite
4	Stem	A 182 F 6a
3	Wedge	A 182 F 6a
2	Seat Ring	A 182 F 6a + 13% Cr
1	Body	A 105 N

Table 2

Type	Size		Dimensions						
			1/2"	3/4"	1"	1 1/4"	1 1/2"	2"	
			15	20	25	32	40	50	
Reduced bore	L	inch	3.15	3.54	4.33	5.00	6.10	6.69	
		mm	80	90	110	127	155	170	
	H open	inch	5.984	6.299	7.874	8.858	9.842	11.023	
		mm	152	160	200	225	250	280	
	W	inch	3.543	3.543	4.96	4.96	4.96	6.06	
		mm	90	90	126	126	126	154	
	D	inch	0.374	0.512	0.689	0.944	1.126	1.437	
		mm	9.5	13	17.5	24	28.6	36.5	
	B	inch	0.87	1.07	1.33	1.68	1.92	2.41	
		mm	22	27.1	33.8	42.6	48.7	61.2	
b	inch	0.38	0.50	0.50	0.50	0.50	0.62		
	mm	9.6	12.7	12.7	12.7	12.7	15.7		
weight	lb	4.0	4.4	7.7	11.0	19.8	25.3		
	kg	1.8	2	3.5	5	9	11.5		
Full bore	L	inch	3.54	4.33	5.00	6.10	6.69	8.27	
		mm	90	110	127	155	170	210	
	H open	inch	6.34	8.07	9.25	10.24	11.22	13.19	
		mm	161	205	235	260	285	335	
	W	inch	3.54	4.96	4.96	4.96	6.06	6.06	
		mm	90	126	126	126	154	154	
	D	inch	0.51	0.69	0.94	1.13	1.44	1.83	
		mm	13	17.5	24	28.6	36.5	46.5	
	B	inch	0.87	1.07	1.33	1.68	1.92	2.41	
		mm	22	27.1	33.8	42.6	48.7	61.2	
C	inch	0.38	0.50	0.50	0.50	0.50	0.62		
	mm	9.6	12.7	12.7	12.7	12.7	15.7		
weight	lb	4.4	7.7	11	19.8	25.3	37.5		
	kg	2	3.5	5	9	11.5	17		