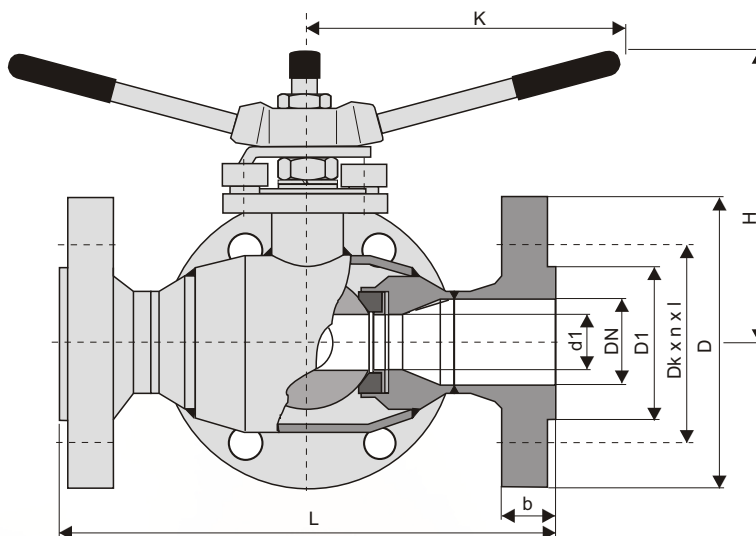


# THREE-WAY CARBON STEEL BALL PIVOT

## DN 65-100 PN 16

3.262.



vtsz.8481808100

**JOINING SIZE:**

DIN 2501 (flanged)

**GRADE OF SEEPAGE:**

MSZ 4563-1983. 3.1.

DIN 3230/3 BO 1.

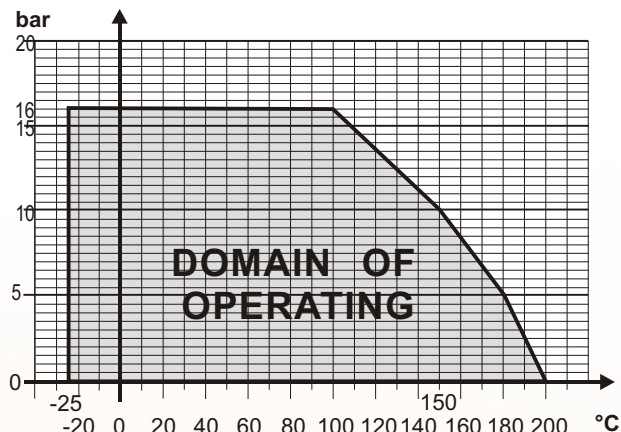
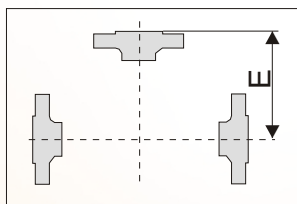
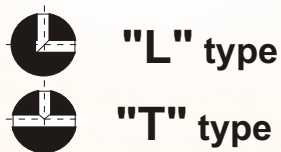
**CONSTRUCTION OF LENGTH:**

DIN 3201-F1 (flanged)

DIN 3202-S8 (welded)

**AREA OF APPLICATION:**

For cold and hot water, steam and for liquids to the material of the parts in the following range shown in the operational pressure-temperature diagram



| DN  | d1 | D1  | Dk x n x l   | D   | L   | E   | b  | H   | K   | kg/db |
|-----|----|-----|--------------|-----|-----|-----|----|-----|-----|-------|
| 65  | 50 | 122 | 145 x 4 x 18 | 185 | 270 | 135 | 18 | 252 | 500 | 18    |
| 80  | 65 | 138 | 160 x 8 x 18 | 200 | 280 | 140 | 20 | 313 | 750 | 26    |
| 100 | 80 | 158 | 180 x 8 x 18 | 220 | 300 | 150 | 20 | 380 | 950 | 37    |

**MATERIALS OF MAIN PARTS:**

| Specifying    | Material quality (~)                |
|---------------|-------------------------------------|
| Case          | St. 37.0 DIN 1629                   |
| Ball          | 1.4301 MSZ EN 10088-1               |
| Seat          | PTFE + 25% Cg                       |
| Shaft         | 1.4021 MSZ EN 10088-1               |
| Shaft sealing | 2 db PTFE ring<br>1 db FPM "O" ring |

| DN  | D2 x s     | L   | E   | kg/db |
|-----|------------|-----|-----|-------|
| 65  | 76,1 x 2,9 | 270 | 135 | 14    |
| 80  | 88,9 x 3,2 | 280 | 140 | 23    |
| 100 | 108 x 3,6  | 300 | 150 | 33    |

**TORQUE:**

