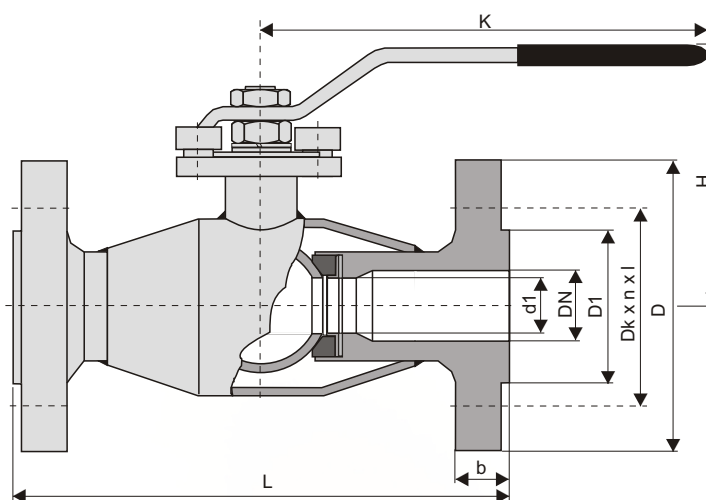


CARBON STEEL BALL PIVOT WELDHAWN

DN 15-50 PN 40

3.240.G.



vtsz.8481808100

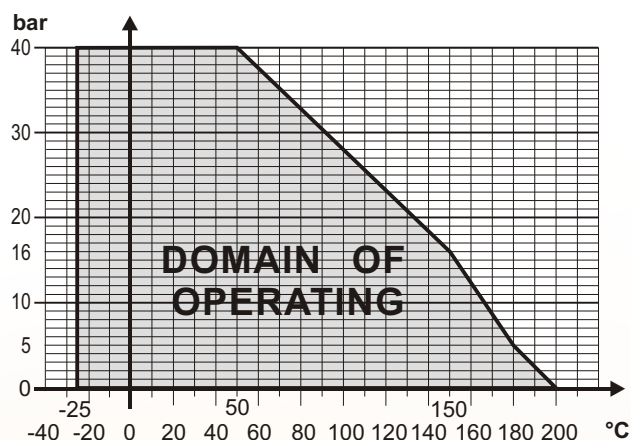
JOINING SIZE:
DIN 2501 (flanged)

CONSTRUCTION OF LENGTH:
MSZ EN 558-1 FTF 1 (DIN 3202-F1) flanged

GRADE OF SEEPAGE:
MSZ 11413/3: 1979
DIN 3230/3 BO 1.

AREA OF APPLICATION:

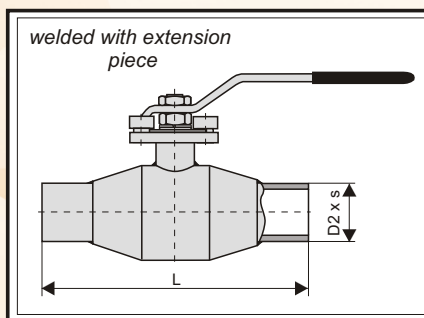
For crude oil and oil products, for natural or city gas, for propane-butane and other combustible gas in the following range shown in the operational.



DN	d1	D1	Dk x n x l	D	L	b	H	K	kg/db
15	15	45	65 x 4 x 14	95	130	16	95	160	2,3
20	15	58	75 x 4 x 14	105	150	18	95	160	2,9
25	20	68	85 x 4 x 14	115	160	18	115	185	3,5
32	25	78	100 x 4 x 18	140	180	18	120	185	5,2
40	32	88	110 x 4 x 18	150	200	18	140	200	6,5
50	40	102	125 x 4 x 18	165	230	20	145	200	10

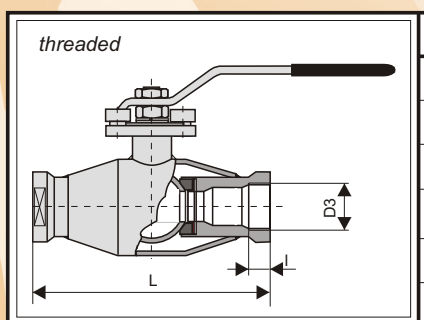
MATERIALS OF MAIN PARTS:

Specifying	Material quality (~)
Case	St. 37.0 DIN 1629
Ball DN 15-25	1.4541 MSZ EN 10088-1
Ball DN 32-50	1.4301 MSZ EN 10088-1
Seat	PTFE
Shaft	1.4021 MSZ EN 10088-1
Shaft sealing	2 db PTFE ring 1 db FPM "O" ring



DN	D2 x s	L	kg/db
15	20 x 2	210	0,9
20	25 x 2,5	230	0,9
25	30 x 2,6	230	1,2
32	38 x 2,6	260	1,6
40	44,5 x 2,6	260	2,7
50	57 x 2,9	300	3,5

TORQUE:



DN	D3	l	L	kg/db
15	Rp 1/2"	10	85	0,8
20	Rp 3/4"	10	95	0,8
25	Rp 1"	12	105	1
32	Rp 5/4"	12	130	1,2
40	Rp 6/4"	16	180	2,5
50	Rp 2"	16	190	3

