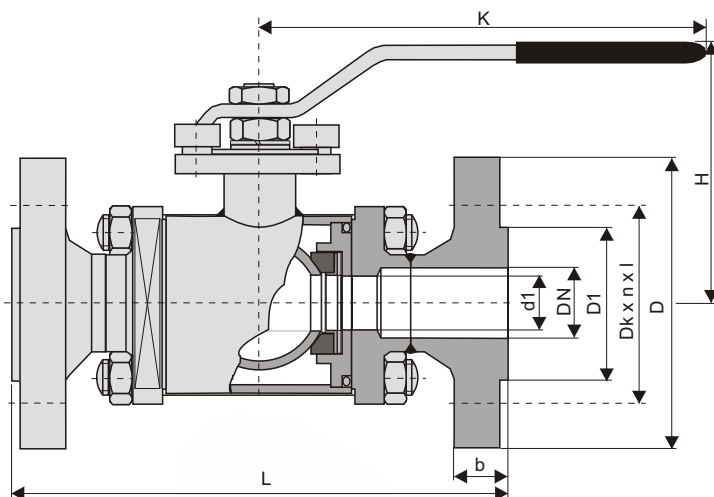


STAINLESS STEEL BALL PIVOT MONTHAHN

DN 15-50 PN 40

3.248.



vtsz.8481808100

JOINING SIZE:
DIN 2501 (flanged)

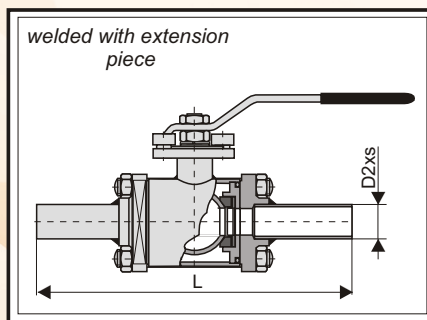
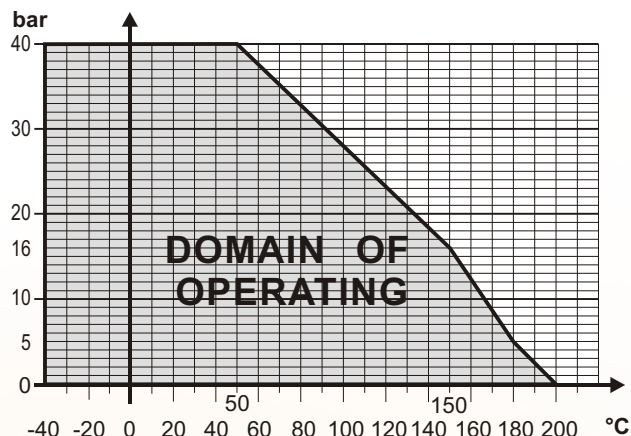
CONSTRUCTION OF LENGTH:
MSZ EN 558-1 FTF 1 (DIN 3202-F1) flanged

GRADE OF SEEPAGE:
MSZ 4563-1983. 3. tabl. 1.
DIN 3230/3 BO 1.

AREA OF APPLICATION:

For cold and hot water, for steam, for acids and alkalis for liquids iner to the material of the parts in the following range shown in the operational pressure-temperature diagram

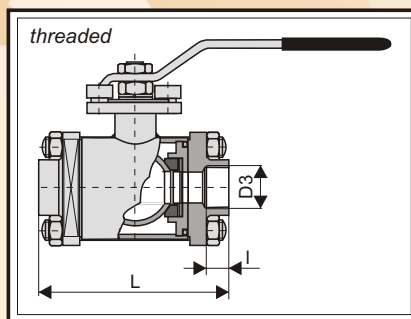
DN	d1	D1	Dk x n x l	D	L	b	H	K	kg/db
15	15	45	65 x 4 x 14	95	130	16	95	160	2,3
20	15	58	75 x 4 x 14	105	150	18	95	160	2,9
25	20	68	85 x 4 x 14	115	160	18	115	185	3,5
32	25	78	100 x 4 x 18	140	180	18	120	185	5,2
40	32	88	110 x 4 x 18	150	200	18	140	200	6,5
50	40	102	125 x 4 x 18	165	230	20	145	200	10



DN	D2 x s	L	kg/db
15	20 x 2	210	0,9
20	25 x 2,5	230	0,9
25	30 x 2,6	230	1,2
32	38 x 2,6	260	1,6
40	44,5 x 2,6	260	2,7
50	57 x 2,9	300	3,5

MATERIALS OF MAIN PARTS:

Specifying	Material quality (~)
Case	1.4541 MSZ EN 10088-1
Ball	1.4541 MSZ EN 10088-1
Seat	PTFE + 25% Cg
Shaft	1.4462 MSZ EN 10088-1
Shaft sealing	2 db PTFE ring 1db FPM "O" ring



DN	D3	l	L	kg/db
15	Rp 1/2"	10	65	0,8
20	Rp 3/4"	12	70	0,8
25	Rp 1"	12	80	1
32	Rp 5/4"	16	95	1,2
40	Rp 6/4"	16	120	2,5
50	Rp 2"	16	130	3

TORQUE:

