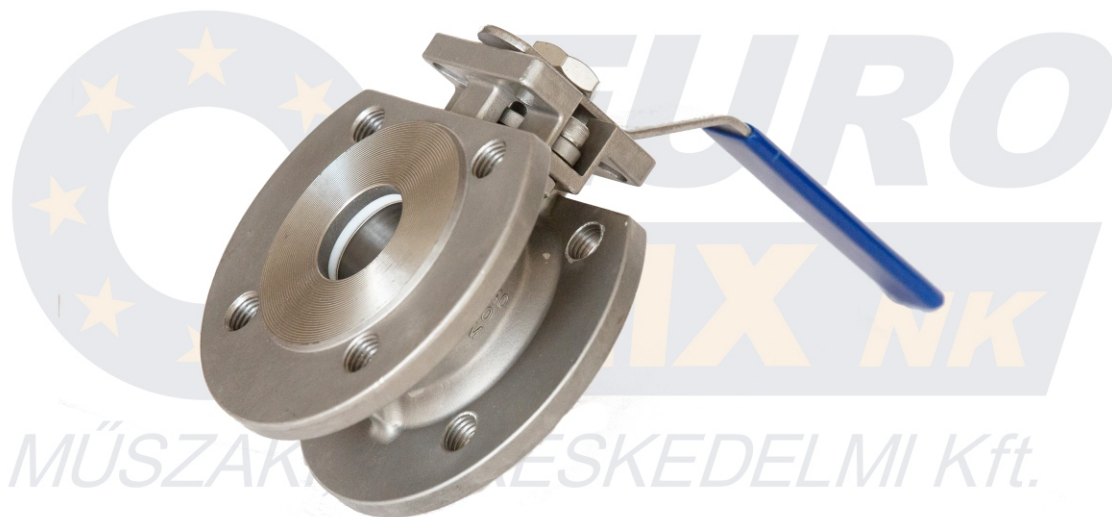
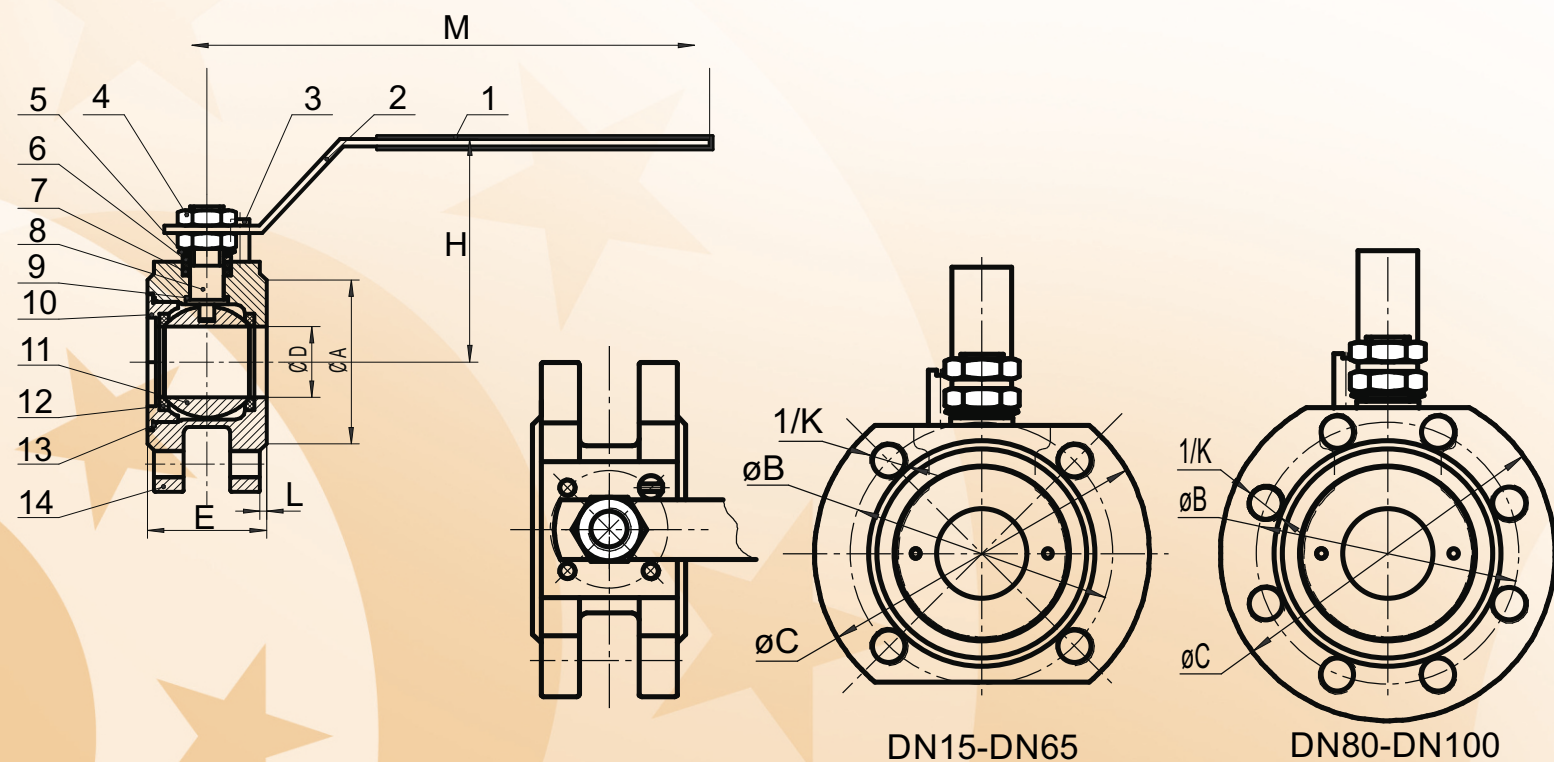


SAVÁLLÓ SZENDVICS GÖMBCSAP

1 PC Wafer Flanged Ball Valve (DIN)



Size	A	B	C	D	E	H	M	L	I/K	ISO5211	Pressure Class
DN15	45	65	90	15	37	70	120	2	4-M12	F03	PN40
DN20	58	75	105	20	40	73	120	2	4-M12	F03	
DN25	68	85	115	25	43	78	165	2	4-M12	F04	
DN32	78	100	140	32	51	85	165	3	4-M16	F04	
DN40	88	110	150	38	63	92	200	3	4-M16	F05	
DN50	102	125	165	50	81	100	200	3	4-M16	F05	PN16
DN65	122	145	185	64	101	140	240	3	4-M16	F07	
DN80	138	160	200	80	118	150	240	3	8-M16	F07	
DN100	158	180	220	97	150	170	265	3	8-M16	F10	



For food and general chemical service application
Adjustable stem packing
Blow-out-proof stem design
Body and end caps quality investment casting
Available in carbon or stainless steel body construction
Designed for easy actuator mountin
100% tested by air under water, at 100 PSI, open and closed positions

Specifications:

Working pressure: DN15-DN50 PN40
DN65-DN100 PN16

End types: threaded

Options: Padlocking device

No.	Part	Q'TY	Material
14	Body	1	CF8M/CF8
13	Body Seal	1	PTFE
12	Ball Seat	2	PTFE
11	Ball	1	CF8M/CF8
10	Cap	1	CF8M/CF8
9	Stem	1	SUS316/304
8	Thrust Washer	1	PTFE
7	Stem Packing	2	PTFE
6	Stem Ring	1	SUS304
5	Spring Washer	2	SUS304
4	Stem Nut	2	SUS304
3	Stop Block	1	SUS304
2	Handle	1	SUS304
1	Handle Cover	1	PLASTIC