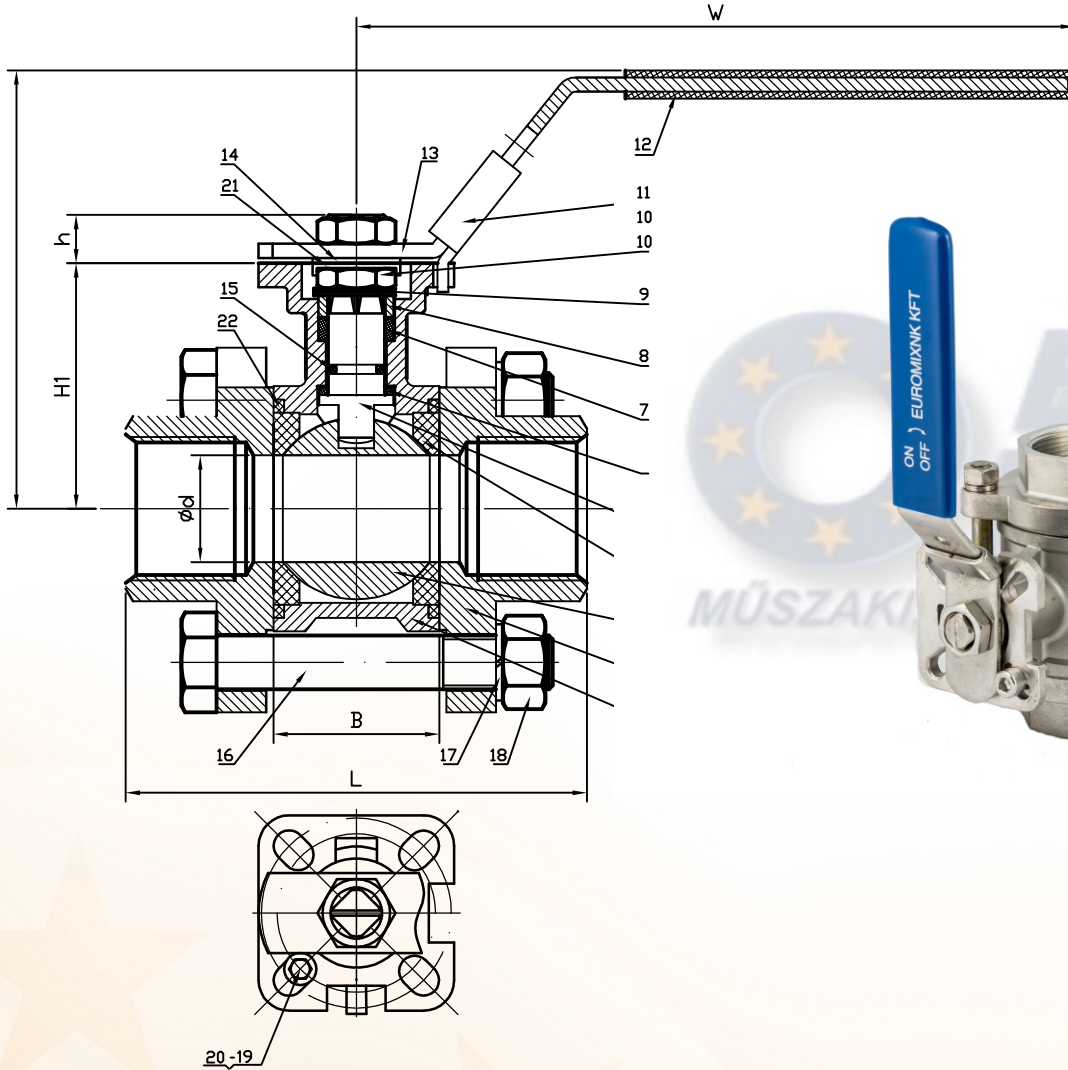


Golyócsap

BB menetes 3 részes, meghajtásra előkészített, kézikarral NKB 301M
3 PC Ball Valve With Mounting Pad ISO5211



4"	96	226	172	330	128	18.5	122	80-100
3"	76	186	160	233	114	18.5	96	50-70
2-1/2"	64	170	151	233	105	18.5	82	40-60
2"	50	124.7	124	188	85	15	63	18-25
1-1/2"	38	109	109	188	70	15	51	13-18
1-1/4"	32	97	98	162	60	11	44	7-10
1"	25	82	93	162	55	11	34	6-9
3/4"	20	70.6	81	141	48	9	28.6	5-8
1/2"	15	66	75	141	42	9	26	2-3.5
3/8"	12.5	64	75	141	42	9	26	2-3
1/4"	11.5	64	75	141	42	9	26	2-3
	d	L	H	W	H1	h	B	N.M

22	END SEAL	PTFE	2
21	THRUST WASHER	304	1
20	NUT	304	1
19	BOLT	304	1
18	BOLT NUT	304	4
17	BOLT WASHER	304	4
16	BOLT	304	4
15	O-RING	VITON/NBR	1
14	WASHER	304	1
13	HANDLE	304	1
12	PLASTIC COVER	PLASTIC	1
11	LOCK DEVICE	304	1
10	STEM NUT	304	2
9	SPRING WASHER	304	2
8	GLAND RING	304	1
7	STEM PACKING	PTFE	1
6	STEM SEAL	PTFE	1
5	STEM	304/316	1
4	BALL SEAT	PTFE/RPTFE	2
3	BALL	304/316	1
2	CAP	CF8/CF8M	2
1	BODY	CF8/CF8M	1

PRESSURE-TEMPERATURE RATING

