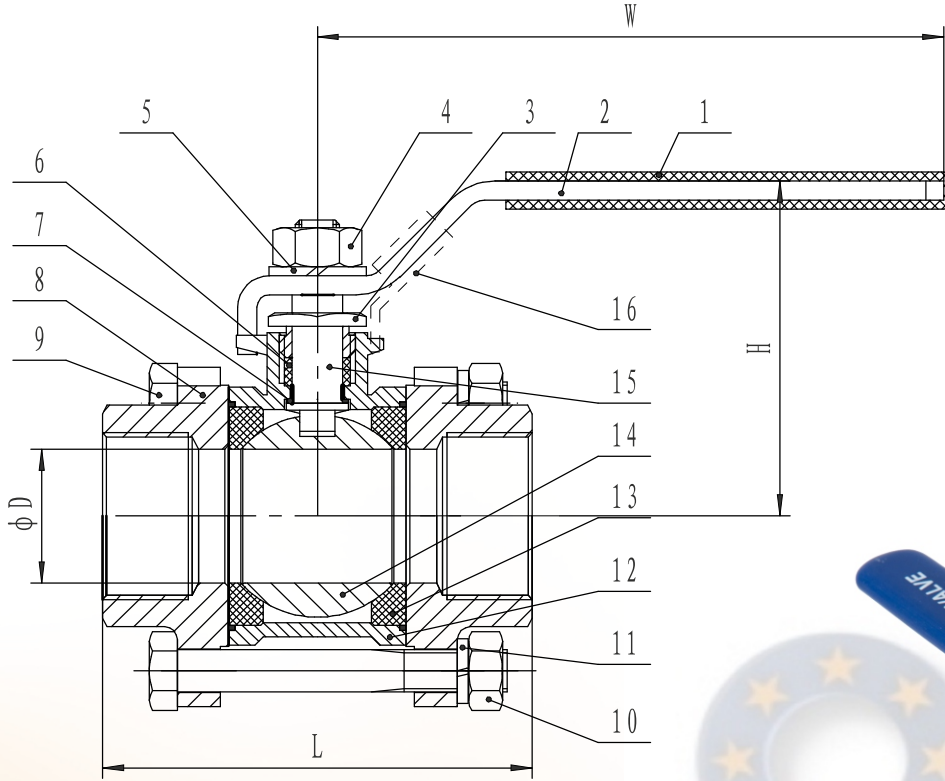


Golyócsap

BB menetes 3 részes, standard NKB 301

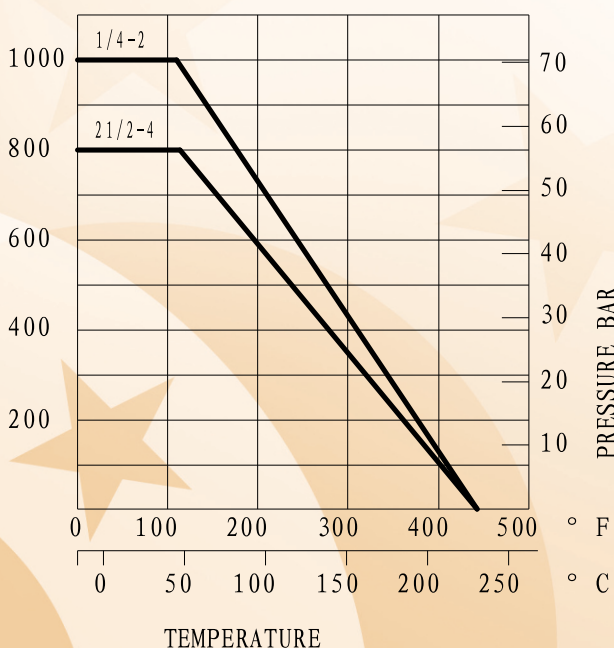
3 PC Thread Ball Valve



	D	L	H	W
1/4"	11	50	48	103
3/8"	12	50	48	103
1/2"	15	60	52	103
3/4"	20	70	61	123
1"	25	80	65	123
1-1/4"	32	93	79	153
1-1/2"	38	100	83	153
2"	50	125	97	185
2-1/2"	64	158	135	243
3"	76	179	144	243
4"	94	223	172	315

16	LOCKING DEVICE	1	SUS304
15	STEM	1	SUS316/304
14	BALL	1	CF8M/CF8
13	BALL SEAT	2	PTFE
12	BODY	1	CF8M/CF8
11	SPRING WASHER	4 (6)	304
10	NUT	4 (6)	304
9	BOLT	4 (6)	304
8	END CAP	1	CF8M/CF8
7	THRUST WASHER	1	PTFE
6	STEM PACKING	1	PTFE
5	STEM WASHER	1	SUS304
4	STEM NUT	1	SUS304
3	GLAND NUT	1	SUS316/304
2	HANDLE	1	SUS304
1	PLASTIC SLEEVE	1	PLASTIC

RATING 1/2" ~ 4"



THREE PIECE SCREWED BALL VALVES ----- A3

- *For food and general chemical service application
- *Adjustable stem packing
- *Blow-out-proof stem design
- *Body and end caps quality investment casting
- *Available in carbon or stainless steel body construction
- *Designed for easy actuator mounting
- *100% tested by air under water, at 100 psi, open and closed positions

SPECIFICATIONS

- *Working pressure: 1/4" ~ 2" 1000 psi W. O. G
- 2 1/2 ~ 4" 800 psi W. O. G
- *End types: threaded

OPTIONS

- *Padlocking device