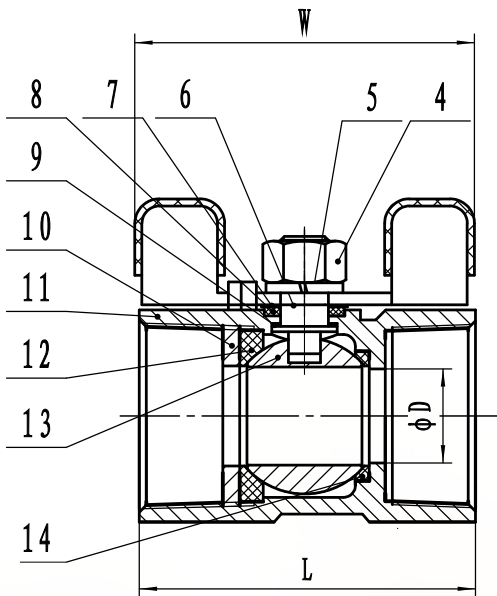


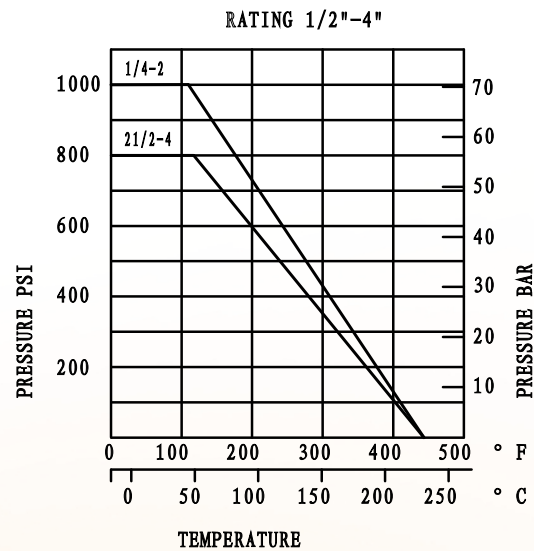
Golyócsap

BB menetes, 1 részes, pillangókaros, NKB 101 B

1 PC Ball Valve



	ϕD	L	W	S
1/4	5	39	40	17
3/8	6.8	44	41	21
1/2	9.2	56.5	56	25
3/4	12.5	59	56	32
1"	15	71	70	38



17	STEM PACKING	PTFE
16	GLAND NUT	304/316
15	BODY SEAL	PTFE
14	BALL SEAT (B)	PTFE
13	BALL	304/316
12	BALL SEAT (A)	PTFE
11	BODY	CF8/CF8M
10	CAP	CF8/CF8M
9	THRUST WASHER	PTFE
8	STEM PACKING	PTFE
7	PACK RING	304
6	STEM	304/316
5	SPRING WASHER	304
4	STEM NUT	304
3	LOCKING	304
2	HANDLE	304
1	PLASTIC COVER	PLASTIC

ONE PIECE SCREWED BALL VALVES ----- A1

- *For food and general chemical service application
- *Adjustable stem packing
- *Blow-out-proof stem design
- *Body and end caps quality investment casting
- *Available in carbon or stainless steel body construction
- *100% tested by air under water, at 100 psi, open and closed positions

SPECIFICATIONS

*Working pressure: 1/4" ~ 3/4" 1000 psi W.O.G

*End types: threaded

OPTIONS

*Padlocking device