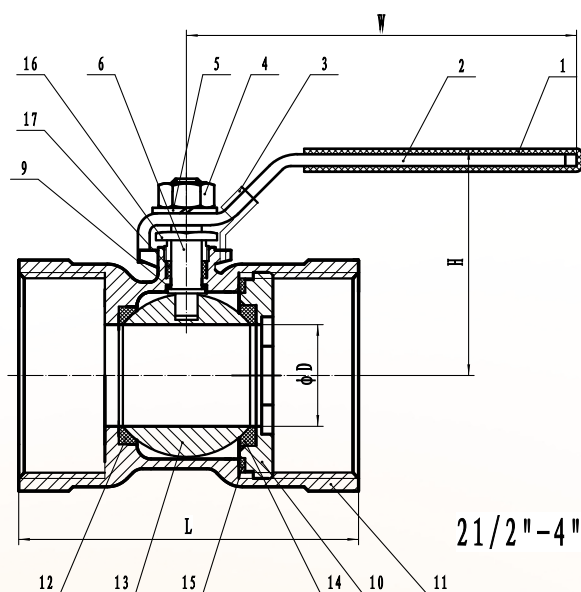
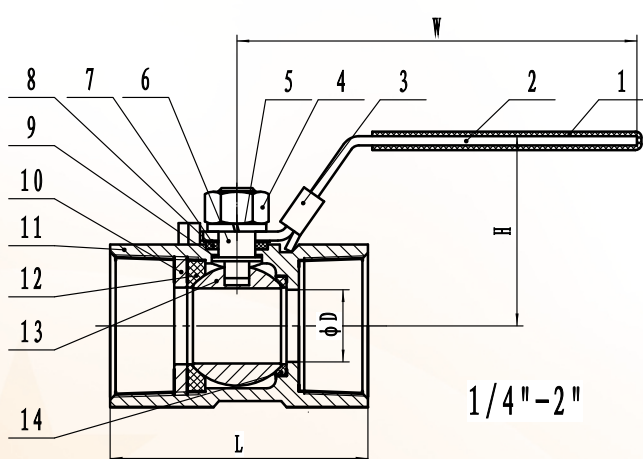


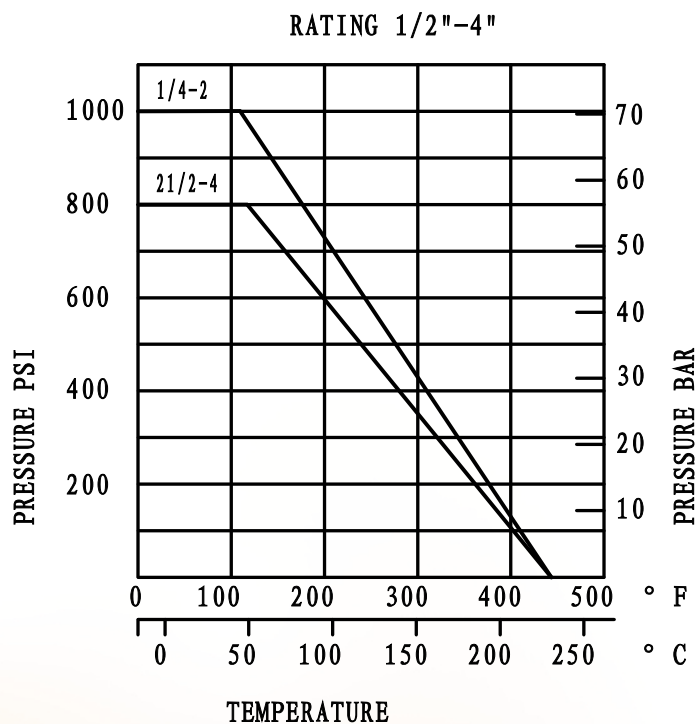
## Golyócsap

BB menetes, 1 részes, kézikáros, NKB 101

1 PC Ball Valve



	$\phi D$	L	H	W	S
1/4	5	39	31	65	17
3/8	6.8	44	36	85	21
1/2	9.2	56.5	41	95	25
3/4	12.5	59	44	95	32
1	15	71	48	111	38
1-1/4	20	78	54	111	49
1-1/2	25	83	65	142	53
2	32	100	72	142	65
2 1/2	38	120	80	154	83
3	50	140	100	191	98
4	64	170	129	246	127



17	STEM PACKING	PTFE
16	GLAND NUT	304/316
15	BODY SEAL	PTFE
14	BALL SEAT (B)	PTFE
13	BALL	304/316
12	BALL SEAT (A)	PTFE
11	BODY	CF8/CF8M
10	CAP	CF8/CF8M
9	THRUST WASHER	PTFE
8	STEM PACKING	PTFE
7	PACK RING	304
6	STEM	304/316
5	SPRING WASHER	304
4	STEM NUT	304
3	LOCKING	304
2	HANDLE	304
1	PLASTIC COVER	PLASTIC

#### ONE PIECE SCREWED BALL VALVES ----- A1

- \*For food and general chemical service application
- \*Adjustable stem packing
- \*Blow-out-proof stem design
- \*Body and end caps quality investment casting
- \*Available in carbon or stainless steel body construction
- \*100% tested by air under water, at 100 psi, open and closed positions

#### SPECIFICATIONS

- \*Working pressure: 1/4" ~ 2" 1000 psi W. O. G
- 2 1/2" ~ 4" 800psi W. O. G
- \*End types: threaded

#### OPTIONS

- \*Padlocking device