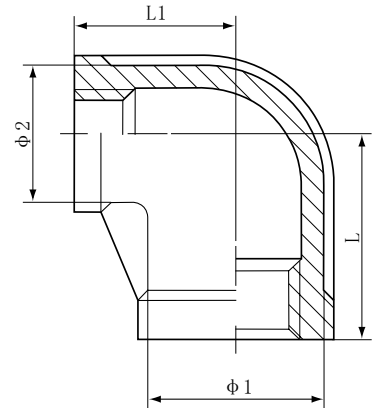


Saválló menetes szűkítő könyök 90° BB NK 1003

Red Elbow 90° FF

FEATURES

- The thread ends conform to
ASME B1.20.1(NPT)
DIN 2999 & BS21
ISO 228/1 & ISO 7/1
- Dimension conform to
ISO 4144
SP114
EN-10241
JIS
- 150 LBS
- Material conform to
ASTM A351-CF8M/1.4408
ASTM A351-CF8/1.4401
ASTM A216-WCB
AISI 304, 304L, 316, 316L, 301, 430 ECT



Standard	SIZE	1/4	3/8	1/2		3/4		1		1 1/4	
ISO4144 *	Φ1	16	20	24.5	24.5	30	30	37.5	37.5	46.5	46.5
	Φ2	13	16	16	20	20	24.5	24.5	30	30	37.5
	L	18	22	24	25	28	30	33	35	40	42
	L1	18	20	24	26	28	29	32	34	38	40
Standard	SIZE	1 1/2		2		2 1/2		3		4	
ISO4144 *	Φ1	53	53	65.5	65.5	82	82	95.5	95.5	121.5	121.5
	Φ2	37.5	46.5	46.5	53	53	65.5	65.5	82	82	95.5
	L	45	48	54	55	62	65	72	75	90	91
	L1	41	45	48	52	55	60	62	72	78	83
Standard	SIZE	1/4	3/8	1/2		3/4		1		1 1/4	
EN-10241 *	Φ1	21.3	23.5	29	29	35	35	43	43	52	52
	Φ2	17	21.3	21.3	23.5	23.5	29	29	35	35	43
	L	21	21.3	27	27	33	33	38	38	45	45
	L1	19	21	21	21.3	21.3	27	27	33	33	38
Standard	SIZE	1 1/2		2		2 1/2		3		4	
EN-10241 *	Φ1	58	58	71	71	86.5	86.5	99.5	99.5	125	125
	Φ2	43	52	52	58	58	71	71	86.5	86.5	99.5
	L	50	50	58	58	69.7	69.7	77.5	77.5	98.2	98.2
	L1	38	45	45	50	50	58	58	69.7	69.7	77.5
Standard	SIZE	1/4	3/8	1/2		3/4		1		1 1/4	
JIS	Φ1	19	22	26	26	32	32	39	39	48	48
	Φ2	16	19	19	22	22	26	26	32	32	39
	L	19	23	27	27	32	32	38	38	46	46
	L1	17	19	19	23	23	27	27	32	32	38
Standard	SIZE	1 1/2		2		2 1/2		3		4	
JIS	Φ1	55	55	67	67	83.5	83.5	97	97	123	123
	Φ2	39	48	48	55	55	67	67	83.5	83.5	97
	L	48	48	57	57	69	69	78	78	96	96
	L1	38	46	46	48	48	57	57	69	69	78
Standard	SIZE	1/4	3/8	1/2		3/4		1		1 1/4	
SP-114	Φ1	15.4	19.7	26.2	26.2	31.9	31.9	39.8	39.8	47.8	47.8
	Φ2	13.5	15.4	15.4	19.7	19.7	26.2	26.2	31.9	31.9	39.8
	L	22	24	21	26	26.5	26.5	32.5	34	38	40
	L1	20	24	22	25	28	28	34	35	40	40
Standard	SIZE	1 1/2		2		2 1/2		3		4	
SP-114	Φ1	55.9	55.9	66.5	66.5	83.3	83.3	98.2	98.2	123	123
	Φ2	39.8	47.8	47.8	55.9	55.9	66.5	66.5	83.3	83.3	98.2
	L	42	43	45	52	54	61	63	70	72	79
	L1	45	47	52	55	60	63	68	71	76	80