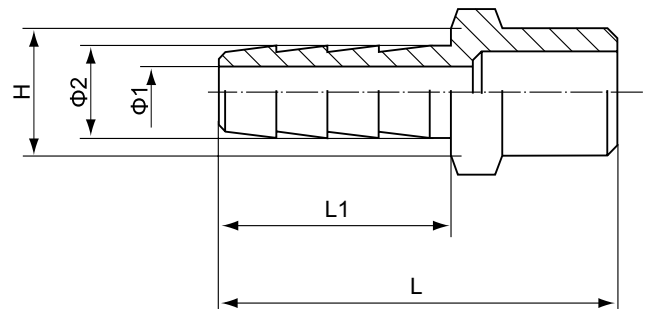


Saválló menetes tömlőcsatlakozó hatlapfejű NK 1030

Hex. Hose Nipple



Standard	SIZE	1/8	1/4	3/8	1/2	3/4	1	1 1/4	1 1/2	2	2 1/2	3	4
ISO4144 *	L	38	42.5	49	57.5	66	76	79	83	92	99	107.5	117
	L1	26	28	33	38	45	52	52	56	60	65	70	73
	Φ1	4	5	7	10.5	15	22	27.5	34	45	59	71	95
	Φ2	8	9	11.5	15	20	27	33	39.5	52	67	80	105
	H	11	15	18	22	28	35	43.5	49.5	62	77.5	90.5	117
Standard	SIZE	1/8	1/4	3/8	1/2	3/4	1	1 1/4	1 1/2	2	2 1/2	3	4
EN-10241 *	L	45	47	55	64	68	71	80	95	105	125	150	165
	L1	31.6	31.8	38.5	43	44	44	50	57	67	80	103	113
	Φ1	2.5	4.4	7.5	10.7	17.1	23.4	28.8	35.1	47.5	58.5	68.2	87.6
	Φ2	4.5	6.4	9.5	12.7	19.1	25.4	31.8	38.1	50.8	63.5	76.2	101.6
	H	12.5	16.5	20	23.5	31	38.5	46	52	62	78	92	117
Standard	SIZE	1/8	1/4	3/8	1/2	3/4	1	1 1/4	1 1/2	2	2 1/2	3	4
JIS	L	33	41	44	49	59	69	74	79	89	109	134	149
	L1	19	23	24	25	34	44	44	45	54	61	91	96
	Φ1	5	6	8	11.5	16.5	23	28	35	47	61	73	96
	Φ2	9	11	12	16	22	29.5	36	42	54	65.5	78.5	103
	H	11	13	16	19.5	24.5	33.5	43.5	51.5	62.5	78.5	92.5	117.5
Standard	SIZE	1/8	1/4	3/8	1/2	3/4	1	1 1/4	1 1/2	2	2 1/2	3	4
SP-114	L	34	42	45	50	60	70	75	80	90	110	135	150
	L1	20	24	25	26	35	45	45	46	55	67	92	96
	Φ1	4	5	6	9	15	21.5	27	33	45	55	68	91
	Φ2	7	9	10	14	20	27.5	34	40	52	63.5	76.5	103
	H	14	16	19	22	27.5	36.6	46	52	63	79	93	118

* Raktáron

FEATURES

- The thread ends conform to ASME B1.20.1(NPT) DIN 2999 & BS21 ISO 228/1 & ISO 7/1
- Dimension conform to ISO 4144, SP114 EN-10241, JIS
- 150 LBS
- Material conform to ASTM A351-CF8M/1.4408 ASTM A351-CF8/1.4401 ASTM A216-WCB AISI 304, 304L, 316, 316L, 301, 430 ECT
- MADE FROM CASTING OR BAR