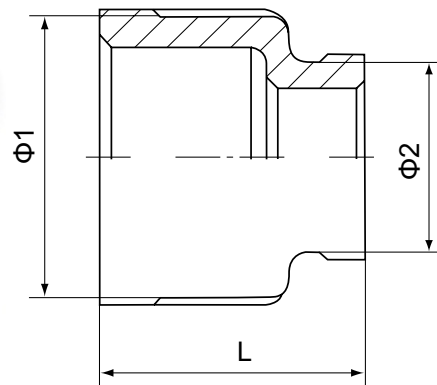


Saválló menetes szűkítő karmantyú NK 1016

Red. Socket Banded

FEATURES

- The thread ends conform to
 - ASME B1.20.1(NPT)
 - DIN 2999 & BS21
 - ISO 228/1 & ISO 7/1
- Dimension conform to
 - ISO 4144, SP114
 - EN-10241, JIS
- 150 LBS
- Material conform to
 - ASTM A351-CF8M/1.4408
 - ASTM A351-CF8/1.4401
 - ASTM A216-WCB
 - AISI 304, 304L, 316, 316L, 301, 430 ECT



Standard	SIZE	1/4		3/8		1/2		3/4		1		1 1/4	
		1/8		1/4		1/4		3/8		3/8		1/2	
ISO4144 *	Φ1	16.5	20	25.5	25.5	31	31	38	38	47	47		
	Φ2	13	16.5	16.5	20	20	24.7	24.7	31	31	38		
	L	25	26	34	34	36	36	42	42	48	48		
Standard	SIZE	1 1/2		2		2 1/2		3		4			
		1		1 1/4		1 1/4		1 1/2		1 1/2		2	
ISO4144 *	Φ1	54	54	66	66	82	82	96.5	96.5	123.5	123.5		
	Φ2	38	47	47	54	54	66	66	82	82	96.5		
	L	52	52	58	58	65	65	72	72	94	94		
Standard	SIZE	1/4		3/8		1/2		3/4		1		1 1/4	
		1/8		1/4		1/4		3/8		3/8		1/2	
EN-10241 *	Φ1	21.5	26	29	29	36.7	36.7	43	43	52.5	52.5		
	Φ2	15.2	21.5	21.5	26	26	29	29	36.7	36.7	43		
	L	26	29	34	34	37	37	42	42	52	52		
Standard	SIZE	1 1/2		2		2 1/2		3		4			
		1		1 1/4		1 1/4		1 1/2		1 1/2		2	
EN-10241 *	Φ1	59	59	72	72	87	87	100	100	126	126		
	Φ2	43	52.5	52.5	59	59	72	72	87	87	100		
	L	53	53	57	57	68	68	76	76	89	89		
Standard	SIZE	1/4		3/8		1/2		3/4		1		1 1/4	
		1/8		1/4		1/4		3/8		3/8		1/2	
JIS	Φ1	19	22	26	26	32	32	39	39	48	48		
	Φ2	16	19	19	22	22	26	26	32	32	39		
	L	25	28	34	34	38	38	42	42	48	48		
Standard	SIZE	1 1/2		2		2 1/2		3		4			
		1		1 1/4		1 1/4		1 1/2		1 1/2		2	
JIS	Φ1	55	55	67	67	83.5	83.5	98.2	98.2	123	123		
	Φ2	39	48	48	55	55	67	67	83.5	83.5	98.2		
	L	52	52	58	58	65	65	72	72	94	94		
Standard	SIZE	1/4		3/8		1/2		3/4		1		1 1/4	
		1/8		1/4		1/4		3/8		3/8		1/2	
SP-114	Φ1	21.4	25.4	30.5	30.5	37.1	37.1	44.9	44.9	54.6	54.6		
	Φ2	19.1	21.4	21.4	25.4	25.4	30.5	30.5	37.1	37.1	44.9		
	L	25.4	28.5	35	32	38	38	41	41	51	51		
Standard	SIZE	1 1/2		2		2 1/2		3		4			
		1		1 1/4		1 1/4		1 1/2		1 1/2		2	
SP-114	Φ1	61.7	61.7	75.2	75.2	84.1	84.1	101.6	101.6	128.5	128.5		
	Φ2	44.9	54.6	54.6	61.7	61.7	75.2	75.2	84.1	84.1	101.6		
	L	53.8	53.8	63.5	63.5	72.9	72.9	80.8	80.8	93.5	93.5		