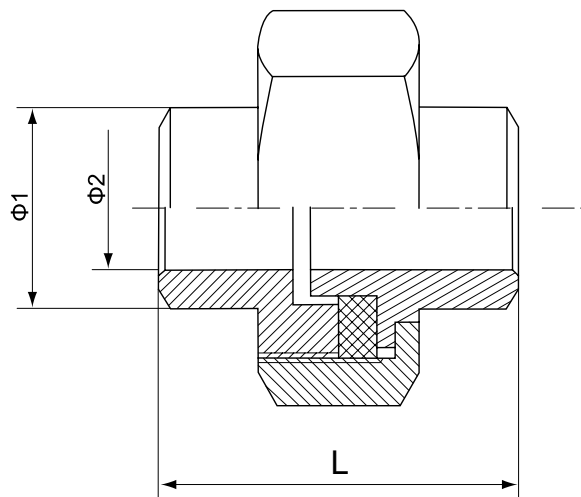


# Saválló menetes lapos hollandier hegeszthető teflon tömítéssel NK 1023

## Union Teflon Flat BW/BW



Standard	SIZE	1/8	1/4	3/8	1/2	3/4	1	1 1/4	1 1/2	2	2 1/2	3	4
ISO4144 *	Φ 1	10.2	13.5	17.2	21.3	26.9	33.7	42.4	48.3	60.3	76.1	88.9	114.3
	Φ 2	6.2	8.8	12.5	16	21.6	27.2	35.9	41.8	53	68.8	80.8	105.3
	L	26	35.5	38	44	45	50	55	57	65	71	80	95
Standard	SIZE	1/8	1/4	3/8	1/2	3/4	1	1 1/4	1 1/2	2	2 1/2	3	4
EN-10241 *	Φ 1	10.2	13.5	17.2	21.3	26.9	33.7	42.4	48.3	60.3	76.1	88.9	114.3
	Φ 2	6.2	8.8	12.5	16	21.6	27.2	35.9	41.8	53	68.8	80.8	105.3
	L	26	35.5	38	42	50.4	48	59	64	69	75	84	99
Standard	SIZE	1/8	1/4	3/8	1/2	3/4	1	1 1/4	1 1/2	2	2 1/2	3	4
SP-114	Φ 1	10.7	13.5	17	21	26.9	33.7	42	48	60	76	88.9	114.3
	Φ 2	6.5	8.8	12.3	16.7	21.6	27.2	36.3	41.5	53.3	68.9	80.8	105.3
	L	33	33	34	40	42	49	55	58	63	71	77	92

\* Raktáron

### FEATURES

- The thread ends conform to  
ASME B1.20.1(NPT)  
DIN 2999 & BS21  
ISO 228/1 & ISO 7/1
- Dimension conform to  
ISO 4144, SP114  
EN-10241, JIS
- 150 LBS
- Material conform to  
ASTM A351-CF8M/1.4408  
ASTM A351-CF8/1.4401  
ASTM A216-WCB  
AISI 304, 304L, 316, 316L, 301, 430 ECT