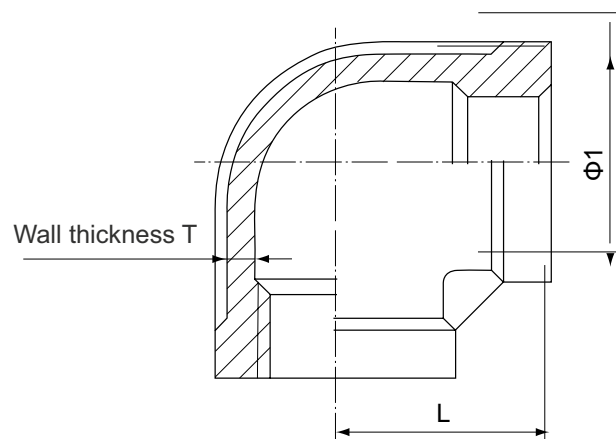


Saválló menetes könyök 90° BB NK 1001

Elbow 90°



Standard	SIZE	1/8	1/4	3/8	1/2	3/4	1	1 1/4	1 1/2	2	2 1/2	3	4
ISO4144 *	Φ1	13	16	20	24.5	30	37.5	46.5	53	65.5	82	95.5	121.5
	L	17	19	23	27	32	38	45	48	57	69	78	96
	T	2.5	2.5	2.8	1.65	1.75	2	2.25	2.5	2.85	3.25	3.75	4.25
EN-10241 *	Φ1	15.2	19.7	23.3	28	34.8	43.6	53	58	71	87	100	126
	L	17	18.5	22.9	26.8	32	37.5	45.9	47.6	58	70	77	97
	T	3.6	4.35	4.85	3.4	4.15	5.05	5.5	5	5.6	5.75	6	6.5
SP-114	Φ1	13.5	15.4	19.7	26.2	31.9	39.8	47.8	55.9	66.5	83.3	98.2	123
	L	20.6	20.6	23.6	28.5	33.3	38.1	44.5	49	57.1	68	77.6	96.8
	T	2.7	2.7	2.7	2.7	3.2	3.2	3.8	3.8	4	4.7	5.2	6
JIS	Φ1	16	19	22	26	32	39	48	55	67	83.5	97	123
	L	17	19	23	27	32	38	46	48	57	69	78	96
	T	2.5	2.5	2.5	2.5	3	3	3.5	3.5	4	4.5	5	5.5

* Raktáron

FEATURES

- The thread ends conform to
ASME B1.20.1(NPT)
DIN 2999 & BS21
ISO 228/1 & ISO 7/1
- Dimension conform to
ISO 4144
SP114
EN-10241
JIS
- 150 LBS
- Material conform to
ASTM A351-CF8M/1.4408
ASTM A351-CF8/1.4401
ASTM A216-WCB
AISI 304, 304L, 316, 316L, 301, 430 ECT