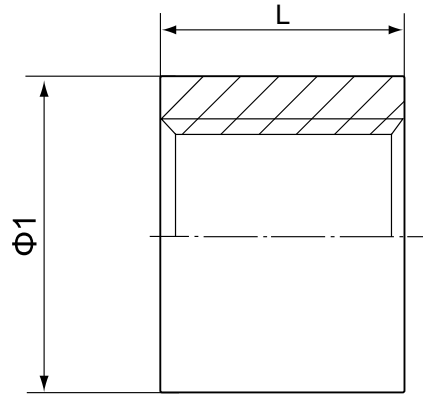


Saválló menetes félkarmantyú NK 1029

Half Couplings



| | | | | | | | | | | | | | |
|------------|------|------|------|------|------|------|------|-------|-------|------|-------|------|-------|
| Standard | SIZE | 1/8 | 1/4 | 3/8 | 1/2 | 3/4 | 1 | 1 1/4 | 1 1/2 | 2 | 2 1/2 | 3 | 4 |
| ISO4144 * | Φ 1 | 13 | 16.5 | 20 | 24.5 | 30 | 37.5 | 46.5 | 53 | 65.5 | 82 | 95.5 | 121.5 |
| | L | 7.5 | 11 | 11.5 | 15 | 16.5 | 19.5 | 21.5 | 21.5 | 26 | 30.5 | 33.5 | 39.5 |
| Standard | SIZE | 1/8 | 1/4 | 3/8 | 1/2 | 3/4 | 1 | 1 1/4 | 1 1/2 | 2 | 2 1/2 | 3 | 4 |
| EN-10241 * | Φ 1 | 15 | 18.5 | 21.3 | 26.4 | 31.8 | 39.5 | 49.3 | 55.5 | 69 | 87 | 103 | 126 |
| | L | 6.5 | 15 | 16.5 | 18 | 20.5 | 23.5 | 26.5 | 26.5 | 29.5 | 31 | 34.5 | 38 |
| Standard | SIZE | 1/8 | 1/4 | 3/8 | 1/2 | 3/4 | 1 | 1 1/4 | 1 1/2 | 2 | 2 1/2 | 3 | 4 |
| JIS | Φ 1 | 16 | 19 | 22 | 26 | 32 | 39 | 48 | 55 | 67 | 83.5 | 97 | 123 |
| | L | 8.5 | 11.5 | 12.5 | 15.5 | 17.5 | 20.5 | 22.5 | 22.5 | 27.5 | 31.5 | 34.5 | 42 |
| Standard | SIZE | 1/8 | 1/4 | 3/8 | 1/2 | 3/4 | 1 | 1 1/4 | 1 1/2 | 2 | 2 1/2 | 3 | 4 |
| SP-114 | Φ 1 | 14 | 18.5 | 21.5 | 26 | 32 | 39 | 48 | 54 | 66.5 | 82 | 95 | 122 |
| | L | 11.5 | 13.5 | 16.5 | 18.5 | 20.5 | 23.5 | 26.5 | 29.5 | 31 | 34 | 38 | 43 |

* Raktáron

FEATURES

- The thread ends conform to
 - ASME B1.20.1(NPT)
 - DIN 2999 & BS21
 - ISO 228/1 & ISO 7/1
- Dimension conform to
 - ISO 4144, SP114
 - EN-10241, JIS
- 150 LBS
- Material conform to
 - ASTM A351-CF8M/1.4408
 - ASTM A351-CF8/1.4401
 - ASTM A216-WCB
 - AISI 304, 304L, 316, 316L, 301, 430 ECT
- MADE FROM CASTING, WELD PIPE OR SEAMLESS PIPE