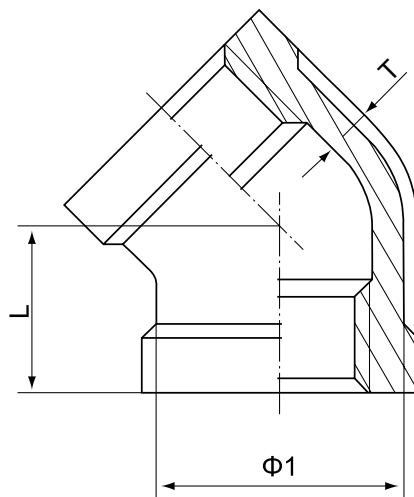


# Saválló menetes könyök 45° BB NK 1004

## Elbow 45° FF



Standard	SIZE	1/8	1/4	3/8	1/2	3/4	1	1 1/4	1 1/2	2	2 1/2	3	4
ISO4144 *	Φ1	13	16	20	24.5	30	37.5	46.5	53	65.5	82	95.5	121.5
	L	16	17	19	21	25	29	33	37	42	49	54	64
	T	2.5	2.5	2.8	1.65	1.75	2.0	2.25	2.5	2.85	3.25	3.75	4.25
Standard	SIZE	1/8	1/4	3/8	1/2	3/4	1	1 1/4	1 1/2	2	2 1/2	3	4
EN-10241 *	Φ1	18	21	25	29.5	35.6	43	52.4	58	72	87	100.3	125.5
	L	18	18	20	22	25	28	33	36	43	50	55	64
	T	5.0	5.0	5.3	4.15	4.55	4.75	5.2	5.0	6.1	5.75	6.15	6.25
Standard	SIZE	1/8	1/4	3/8	1/2	3/4	1	1 1/4	1 1/2	2	2 1/2	3	4
JIS	Φ1	16	19	22	26	32	39	48	55	67	83.5	97	123
	L	17	19	23	27	32	38	46	48	57	69	78	96
	T	2.5	2.5	2.5	2.5	3.0	3.0	3.5	3.5	4.0	4.5	5.0	5.5
Standard	SIZE	1/8	1/4	3/8	1/2	3/4	1	1 1/4	1 1/2	2	2 1/2	3	4
SP-114	Φ1	13.5	15.4	19.7	26.2	31.9	39.8	47.8	55.9	66.5	83.3	98.2	123
	L	19	21	23	25	30	32	33	36	44	50	54	58.5
	T	2.7	2.7	2.7	2.7	3.2	3.2	3.8	3.8	4	4.7	5.2	6.0

\* Raktáron

### FEATURES

- The thread ends conform to  
ASME B1.20.1(NPT)  
DIN 2999 & BS21  
ISO 228/1 & ISO 7/1
- Dimension conform to  
ISO 4144  
SP114  
EN-10241  
JIS
- 150 LBS
- Material conform to  
ASTM A351-CF8M/1.4408  
ASTM A351-CF8/1.4401  
ASTM A216-WCB  
AISI 304, 304L, 316, 316L, 301, 430 ECT