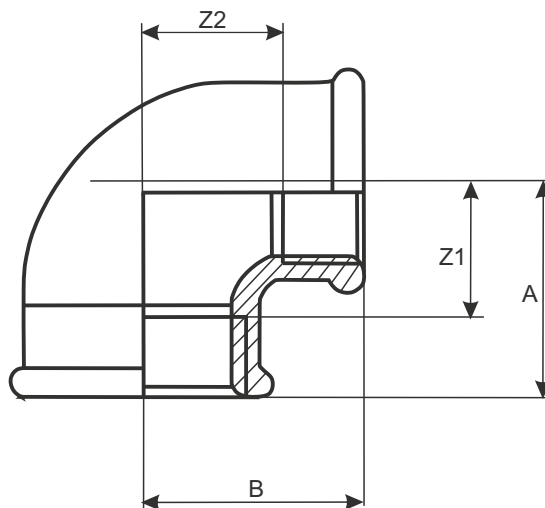


Szűkítő könyök 90° BB

Reduced Elbow 90° FF

EN 10242:A1



Code Black	Code Galv.	Méret	A (mm)	B (mm)	Z1 (mm)	Z2 (mm)
FC0903412	FP0903412	3/4 x 1/2	26	28	13,5	17
FC0900112	FP0900112	1 x 1/2	29	31	14,5	20
FC090134	FP090134	1 x 3/4	31,5	33	17	20,5
FC0905412	FP0905412	5/4 x 1/2	31	35,5	15	24,5
FC0905434	FP0905434	5/4 x 3/4	34	37	18	24,5
FC090541	FP090541	1 1/4 x 1	38	40	22	25,5
FC0906412	FP0906412	6/4 x 1/2	32	40	15	29
FC0906434	FP0906434	6/4 x 3/4	35	41	20	30
FC090641	FP090641	6/4 x 1	38,5	44	23,5	31,5
FC0906454	FP0906454	6/4 x 5/4	42	46	27	31,5
FC090212	FP090212	2 x 1/2	35	45	16	34
FC090234	FP090234	2 x 3/4	37,5	46	18,5	33,5
FC090021	FP090021	2 x 1	41	48	22	33,5
FC090254	FP090254	2 x 5/4	44	51	25	35
FC090264	FP090264	2 x 6/4	48	52	29	35
FC0902512	FP0902512	2 1/2 x 1/2	38	54	17	43
FC0902534	FP0902534	2 1/2 x 3/4	41	56	20	43,5
FC090251	FP090251	2 1/2 x 1	44	58	23	43,5
FC0902554	FP0902554	2 1/2 x 5/4	48	60	27	44
FC0902564	FP0902564	2 1/2 x 6/4	51	61	30	44
FC090252	FP090252	2 1/2 x 2	57	63	36	44