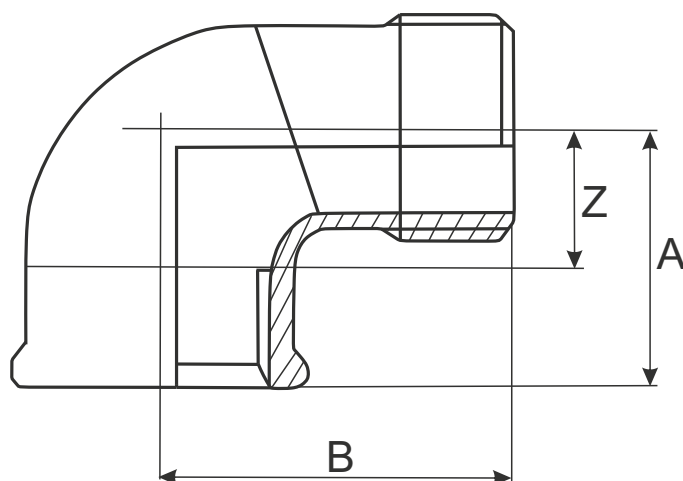


Könyök 90° KB

Elbow 90° MF

EN 10242:A4



Code Black	Code Galv.	Méret	A (mm)	B (mm)	Z (mm)
FC09214	FP09214	1/4	21	28	11
FC09238	FP09238	3/8	25	33	15
FC09212	FP09212	1/2	24,5	36	13,5
FC09234	FP09234	3/4	29	42	16,5
FC0921	FP0921	1	35	49	20,5
FC09254	FP09254	5/4	45	60	27,5
FC09264	FP09264	6/4	50	65	32
FC0922	FP0922	2	58	75	36
FC09225	FP09225	2 1/2	69	90	46
FC0923	FP0923	3	78	98	53