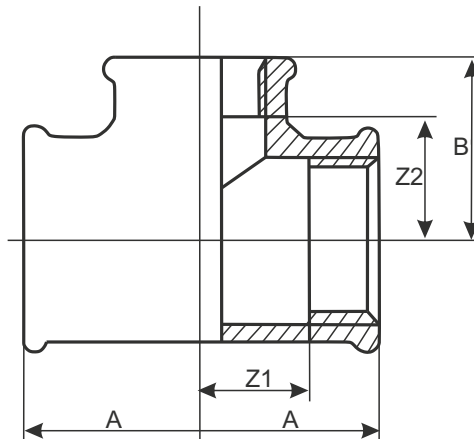


T-szűkítő

Reducing Tee

EN 10242:B1



Code Black	Code Galv.	Méret	A (mm)	B (mm)	Z1 (mm)	Z2 (mm)
FC1301234	FP1301234	1/2 x 3/4	28	26	17	13,5
FC1303412	FP1303412	3/4 x 1/2	26	28	13,5	17
FC1301112	FP1301112	1 x 1/2	29	31	14,5	20
FC1301134	FP1301134	1 x 3/4	31,5	33	17	20,5
FC1305412	FP1305412	5/4 x 1/2	31	35,5	15	24,5
FC1305434	FP1305434	5/4 x 3/4	34	37	18	24,5
FC130541	FP130541	5/4 x 1	38	40	22	25,5
FC1306412	FP1306412	6/4 x 1/2	32	40	15	29
FC1306434	FP1306434	6/4 x 3/4	35	41	18	28,5
FC130641	FP130641	6/4 x 1	38,5	44	21,5	29,5
FC1306454	FP1306454	6/4 x 5/4	42	46	25	30
FC130212	FP130212	2 x 1/2	35	45	16	34
FC130234	FP130234	2 x 3/4	37,5	46	18,5	33,5
FC13021	FP13021	2 x 1	41	48	22	33,5
FC130254	FP130254	2 x 5/4	44	51	25	35
FC130264	FP130264	2 x 6/4	48	52	29	35
FC1302512	FP1302512	2 1/2 x 1/2	38	54	17	43
FC1302534	FP1302534	2 1/2 x 3/4	41	56	20	43,5
FC130251	FP130251	2 1/2 x 1	44	58	23	43,5
FC1302554	FP1302554	2 1/2 x 5/4	48	60	27	44
FC1302564	FP1302564	2 1/2 x 6/4	51	61	30	44
FC130252	FP130252	2 1/2 x 2	57	63	36	44
FC130312	FP130312	3 x 1/2	40	61	17	50
FC130334	FP130334	3 x 3/4	43	63	20	50,5
FC13031	FP13031	3 x 1	46	64	23	49,5
FC130354	FP130354	3 x 5/4	50	66	27	50
FC130364	FP130364	3 x 6/4	53	67	30	50
FC13032	FP13032	3 x 2	59	69	36	50
FC130325	FP130325	3 x 2 1/2	68	71	45	50
FC130412	FP130412	4 x 1/2	44	74	18	63
FC130434	FP130434	4 x 3/4	47	76	21	63,5
FC13041	FP13041	4 x 1	50	77	24	62,5
FC130454	FP130454	4 x 5/4	54	79	28	63
FC130464	FP130464	4 x 6/4	57	80	31	63
FC13042	FP13042	4 x 2	63	82	37	63
FC130425	FP130425	4 x 2 1/2	71	85	45	64